



HAL
open science

Pre-flight qualification test procedure for nanosatellites using sounding rockets

Leonardo Kessler Slongo, João Gabriel Reis, Daniel Gaiki, Pedro von Hohendorff Seger, Sara Vega Martínez, Bruno Vale Barbosa Eiterer, Tulio Gomes Pereira, Mario Baldini Neto, Matheus dos Santos Frata, Henrique Daniel Hamisch, et al.

► To cite this version:

Leonardo Kessler Slongo, João Gabriel Reis, Daniel Gaiki, Pedro von Hohendorff Seger, Sara Vega Martínez, et al.. Pre-flight qualification test procedure for nanosatellites using sounding rockets. *Acta Astronautica*, 2019, 159, pp.564-577. 10.1016/j.actaastro.2019.01.035 . lirmm-02415535

HAL Id: lirmm-02415535

<https://hal-lirmm.ccsd.cnrs.fr/lirmm-02415535>

Submitted on 15 Dec 2021

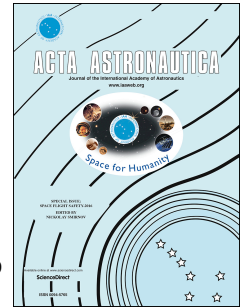
HAL is a multi-disciplinary open access archive for the deposit and dissemination of scientific research documents, whether they are published or not. The documents may come from teaching and research institutions in France or abroad, or from public or private research centers.

L'archive ouverte pluridisciplinaire **HAL**, est destinée au dépôt et à la diffusion de documents scientifiques de niveau recherche, publiés ou non, émanant des établissements d'enseignement et de recherche français ou étrangers, des laboratoires publics ou privés.

Accepted Manuscript

Pre-flight qualification test procedure for nanosatellites using sounding rockets

Leonardo Kessler Slongo, João Gabriel Reis, Daniel Gaiki, Pedro Von Hohendorff Seger, Sara Vega Martínez, Bruno Vale Barbosa Eiterer, Tulio Gomes Pereira, Mario Baldini Neto, Matheus dos Santos Frata, Henrique Daniel Hamisch, André Martins Pio de Mattos, Juan Pablo Florez Mera, Kleber Vieira de Paiva, Marcia Barbosa Henriques Mantelli, Luigi Dilillo, Eduardo Augusto Bezerra



PII: S0094-5765(18)31021-X

DOI: <https://doi.org/10.1016/j.actaastro.2019.01.035>

Reference: AA 7301

To appear in: *Acta Astronautica*

Received Date: 17 June 2018

Revised Date: 11 January 2019

Accepted Date: 27 January 2019

Please cite this article as: L.K. Slongo, João Gabriel Reis, D. Gaiki, P. Von Hohendorff Seger, S.V. Martínez, B.V. Barbosa Eiterer, T.G. Pereira, M.B. Neto, M.d.S. Frata, H.D. Hamisch, André Martins Pio de Mattos, J.P. Florez Mera, K. Vieira de Paiva, M.B.H. Mantelli, L. Dilillo, E.A. Bezerra, Pre-flight qualification test procedure for nanosatellites using sounding rockets, *Acta Astronautica* (2019), doi: <https://doi.org/10.1016/j.actaastro.2019.01.035>.

This is a PDF file of an unedited manuscript that has been accepted for publication. As a service to our customers we are providing this early version of the manuscript. The manuscript will undergo copyediting, typesetting, and review of the resulting proof before it is published in its final form. Please note that during the production process errors may be discovered which could affect the content, and all legal disclaimers that apply to the journal pertain.

Pre-flight qualification test procedure for nanosatellites using sounding rockets

Leonardo Kessler Slongo^{a,c,*}, João Gabriel Reis^a, Daniel Gaiki^b, Pedro Von Hohendorff Seger^e, Sara Vega Martínez^a, Bruno Vale Barbosa Eiterer^a, Tulio Gomes Pereira^a, Mario Baldini Neto^a, Matheus dos Santos Frata^a, Henrique Daniel Hamisch^d, André Martins Pio de Mattos^a, Juan Pablo Florez Mera^e, Kleber Vieira de Paiva^f, Marcia Barbosa Henriques Mantelli^e, Luigi Dilillo^g, Eduardo Augusto Bezerra^{a,g}

^aDepartment of Electrical and Electronic Engineering, UFSC, Florianópolis, Brazil

^bDipartimento di Elettronica e Telecomunicazioni, Politecnico di Torino, Italy

^cSENAI Institute for Innovation in Embedded Systems, Florianópolis, Brazil

^dDepartment of Automation and Systems, UFSC, Florianópolis, Brazil

^eDepartment of Mechanical Engineering, UFSC, Florianópolis, Brazil

^fDepartment of Mobility Engineering, UFSC, Joinville, Brazil

^gCNRS/LIRMM, Université de Montpellier, France

Abstract

This work presents an innovative procedure to test nanosatellites subsystems on board sounding rockets. The procedure allows the subsystems to save their telemetry data during the whole rocket flight phases (including at the rocket lift-off). The subsystems of the FloripaSat (1U CubeSat) engineering model have been tested on board a VSB-30 rocket in order to validate their design and integration process. A dedicated embedded system has been proposed to operate as an electronic interface between the nanosatellite subsystems and the rocket electronics. Also, a system to process telemetry data was implemented on

*Corresponding author

Email addresses: slongo@eel.ufsc.br (Leonardo Kessler Slongo), jgreis@lisha.ufsc.br (João Gabriel Reis), daniel.gaiki@studenti.polito.it (Daniel Gaiki), pedro@labtucal.ufsc.br (Pedro Von Hohendorff Seger), sara.vega@posgrad.ufsc.br (Sara Vega Martínez), bruno.eiterer@grad.ufsc.br (Bruno Vale Barbosa Eiterer), tulio.gomes.pereira@grad.ufsc.br (Tulio Gomes Pereira), mario.baldini@posgrad.ufsc.br (Mario Baldini Neto), m.frata@grad.ufsc.br (Matheus dos Santos Frata), henrique.hamisch@grad.ufsc.br (Henrique Daniel Hamisch), andre.martins.mattos@grad.ufsc.br (André Martins Pio de Mattos), jpablo@labtucal.ufsc.br (Juan Pablo Florez Mera), kleber.paiva@ufsc.br (Kleber Vieira de Paiva), marcia.mantelli@ufsc.br (Marcia Barbosa Henriques Mantelli), luigi.dilillo@lirmm.fr (Luigi Dilillo), eduardo.bezerra@ufsc.br (Eduardo Augusto Bezerra)

the ground station. The test procedure validates data frame definition, communication protocol specification, hardware integration specification, among other functionalities. Three FloripaSat subsystems have been tested: Electrical Power Subsystem (EPS); Telemetry, Tracking and Command (TT&C); and On Board Data Handling (OBDH). Several nanosatellites' functions have been evaluated, including: battery monitoring; inertial measurement unit; temperature measurements; radio transceiver; and beacon. The flight results were considerably different from the results obtained at the laboratory. This has allowed important modifications to be made on the design of the CubeSat flight model as the revision on the radio circuit on TT&C and the implementation of an external battery charger circuit for the EPS.

Keywords: Test procedure, design validation, nanosatellite, sounding rocket

1. Introduction

Nanosatellites have become one of the fastest ways to reach space due to their design simplicity and low-cost approach. They are small satellites (ranging from 1 to 10 kg) with scientific and commercial purposes. This class of satellite has emerged as an outstanding solution to allow students to have hands-on experience on actual space projects. The nanosatellites' launching "low price" and short development time attracts not only universities but also space enthusiasts. Many companies also have demonstrated interest to test their products and innovations in space through nanosatellites.

The CubeSat standard definition in 1999 (by Stanford and Cal Poly Universities) significantly increased the interest in small satellites. It defines a modular 10cm x 10cm x 11.35cm (1U) cubic shaped satellite, planned to operate in Low Earth Orbit and to be designed mostly with commercial off-the-shelf (COTS) components [1] [2].

However, along with the spread of the small sized satellite concept, a high failure rate has been noticed [3]. Hardware and software design mistakes and failures on the integration process appear among some of the causes. Quali-

cation and verification tests performed at laboratory are intended to avoid this problem [4]. A Platform to guide hardware and software design for small satel-
20 lites have also been proposed. Through component-based topology, the design platform allows software reutilization, diminishing design time and increasing the system reliability [5]. Also, a CubeSat mission design tool to estimate risk relationship appears as an interesting solution to predict and mitigate failures for small satellite missions [6]. Nevertheless, these strategies do not fully cover
25 all the failure possibilities encountered during a real space mission.

Therefore, some strategies have been proposed to address this issue. Tests with atmospheric balloons [7] have emerged as a low cost and effective solution to test nanosatellites. Although it allows important preliminary communication tests between the satellite and the ground station, it does not evaluate the
30 satellite behavior under the severe conditions of a rocket launching.

In a more elaborated solution, sounding rockets [8] have been used for preliminary tests of nanosatellites, reducing failures before the mission. In this case, the sounding rocket ejects the nanosatellite after reaching a predetermined altitude. The satellite then communicates with a ground station for a period of
35 time, before hitting the ground.

Although this is a more complete test than the ones performed with the atmospheric balloons, normally, nanosatellites only record/transmit data after they are released from the rocket. Actually, this occurs not only in preliminary tests with sounding rockets, but also during real missions. Normally, nanosatel-
40 lites are activated only several minutes after they are ejected from the rocket. This precludes nanosatellites to record/transmit data during the rocket flight. Many nanosatellite failures may occur during the rocket flight and may not be analyzed and understood due to the lack of information in this critical period of the mission. Several nanosatellites do not transmit after the rocket ejection
45 procedure and the developers have no idea about what may have caused the failure(s).

In this work an innovative procedure to test nanosatellites subsystems on board sounding rockets is presented. Instead of ejecting the nanosatellite, the

proposed test is completely performed aboard the sounding rocket. This al-
50 lows the nanosatellite to record data during all the phases of the rocket flight
(including the launching). The nanosatellite starts operating before the rocket
lift-off and it remains operating along the whole flight. The satellite data are
transmitted to the rocket electronics, which retransmits the data to the ground
station. With this strategy, one may have access to nanosatellite failures infor-
55 mation that may occur during the rocket flight. Temperature increases during
flight, high acceleration levels, cables issues due vibration, powering fails due
to battery damage, are among some problems that may occur during launching
and flight, which may be detected with the proposed test procedure.

An important remark here is that the proposed test procedure is not designed
60 to substitute the others. It shall be interpreted as a complement to the afore-
mentioned ones. The main technical contribution on this procedure is the capa-
bility to analyze satellite subsystems' behavior under the rocket launching and
flight conditions. Although stratospheric balloons (or flying subsystems with
drones) allow longer and more appropriate strategy for communication tests,
65 they do not emulate the harsh environment of rocket launching and flight con-
ditions. Even real nanosatellite missions can not provide data to this analysis,
since the spacecrafts are placed in the P-POD (or equivalent launching device)
during the flight, obligatorily in switch off condition. Laboratory qualification
tests are essential, and they may be performed with the satellite subsystems
70 collecting data. However, the physical phenomena are treated separately in
each test (vibration, acceleration, mechanical shock, temperature cycling, etc.),
and normally, in a lower level of intensity (specially for nanosatellite projects).
These are the reasons why this test procedure has been proposed, believing that
new data may arise from these suborbital flights, which will help nanosatellite
75 designers in their projects.

Besides the procedures of nanosatellite's subsystem configuration and in-
tegration, this paper also describes the design of the Multi-Mission Platform
(MMP), which is an embedded system conceived to allow nanosatellite tests
(and other experiments) aboard sounding rockets. This platform is based on a

80 modular architecture, which is a stack of three printed circuit boards (process-
ing, acquisition and power units). Also, the ground station decoder software is
presented in this work. It is based on LabVIEW language and its main appli-
cation is to decode and save transmitted data along the rocket flight.

Finally, the paper presents the results of the FloripaSat (1U CubeSat) sub-
85 systems tested aboard a VSB-30 sounding rocket. Three engineering model
subsystems have been tested: Electrical Power Subsystem (EPS); Telemetry,
Tracking and Command (TT&C); and On Board Data Handling (OBDH). The
flight data of each subsystem are presented and discussed. This analysis will
help preventing eventual failures on FloripaSat flight model, as well as, guide
90 the design to improve some of its features.

The remaining of this paper is organized as follows: Section 2 presents the
Multi-Mission Platform, designed to interface the nanosatellite subsystems and
the rocket electronics; Section 3 explains how the microgravity experiment was
planned, presenting the nanosatellite subsystems test configuration; Section 4
95 presents the ground station data processing software; Section 5 discusses the
integration process; Section 6 explains the acceptance tests procedure; Section
7 discusses the suborbital flight results; finally, Section 8 concludes the paper.

2. Multi-Mission Platform

Sounding rockets have an electronic system (rocket electronics) responsible
100 for receiving data from the payload experiments, and for transmitting them to
a ground station. Therefore, any experiment which intends to transmit data to
the Earth during the flight, shall communicate with the rocket electronics. The
rocket electronics then sends the experiment data to a ground station through
radio signal.

105 On the other hand, nanosatellites may communicate with ground stations
by themselves, using their own radio and antenna. However, no external an-
tennas (except the rocket main antenna) have been allowed for our sounding
rocket flight. This has precluded the direct test of the TT&C radio system.

Consequently, the nanosatellite data had to be sent to the rocket electronics,
110 which transmitted the data via radio to the ground station, through the rocket
main antenna.

In case there were sounding rocket missions that allowed the satellite to use
its own antenna, the flight test of this subsystem could be completely accom-
plished, but other factors as rocket shielding and antennas interference should
115 be considered.

Another important information is that in a rocket mission the payload is
not always rescued after flight. Therefore, sending data through telemetry is
extremely recommended for experiments tested on sounding rockets. Simultane-
ously, as a redundant option, the experiments' electronics shall save information
120 in their own internal memory, for the case of accessing them later. From the
experience obtained in previous sounding rocket missions, telemetry is also not
always fully received and the internal memory may be the only way to obtain
the flight data[9][10].

Beside this, the experiments are strongly recommended to provide commu-
125 nication with the bunker, through a specific cable named umbilical. Figure 1
shows the ideal pre-flight experiment electronics configuration regarding the
communication with the rocket and the bunker.

With this in mind, there were two design options for our case: Either we
modified the nanosatellite hardware and software to directly communicate with
130 the rocket electronics and with the bunker, or we could create an intermediate
embedded system to attend the sounding rocket mission specifications. Modifi-
cations on the nanosatellite design would imply in testing a different setup than
the final version of the satellite. In addition, it is not recommended to make the
nanosatellite more complex in order to test it. Therefore, a dedicated embedded
135 system has been designed to test the nanosatellite subsystems (and other exper-
iments) in sounding rockets. We named it the sounding rocket Multi-Mission
Platform (MMP), shown in (Figure 2).

Besides the capability of testing nanosatellites, the Multi-Mission Platform
is intended for scientific thermal experiments[11][10]. The embedded system

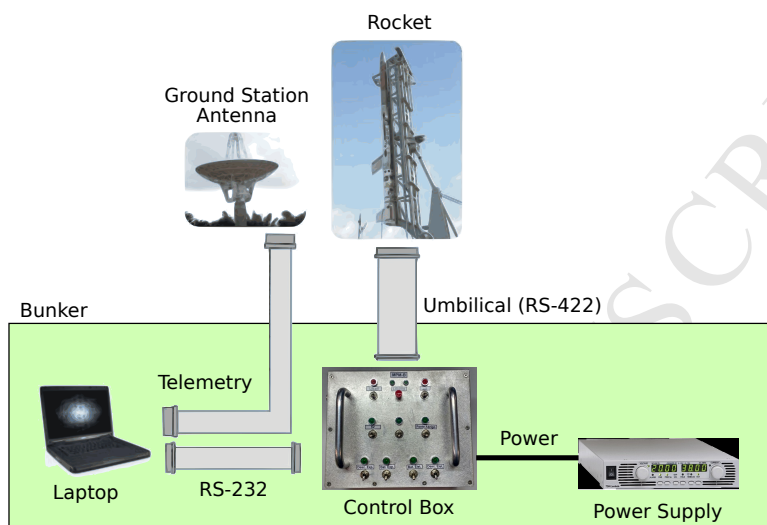


Figure 1: Rocket and bunker connections

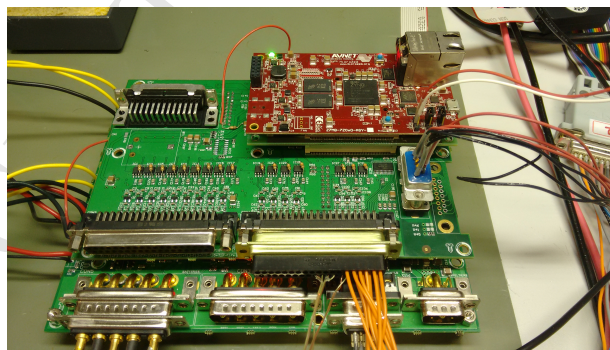


Figure 2: Multi-Mission Platform under test

140 consists of a stack of three printed circuit boards: power; data acquisition;
and processing. It is beyond the scope of this work to describe in details the
Multi-Mission Platform. However, some characteristics are important to be
mentioned, in order to comprehend the nanosatellite subsystems test procedure
and the needed hardware/software resources to accomplish this goal.

145 According the mission requirements, the communication between the ex-
periment electronics and the bunker shall be through RS-422 standard due to
the distance between the bunker and the rocket launching platform (See Sec-
tion 3.4 for detailed information on the communication protocol). Besides this,
there shall be a second communication channel (between the experiment and
150 the rocket electronics). For safety reasons both communication channels must
be isolated, avoiding any eventual electrical instability to be propagated to the
rocket electronics. This is the first reason to have a Multi-Mission Platform,
since this kind of communication is not implemented in nanosatellites. The
communication transceivers (ADM2682E) have been placed on the MMP data
155 acquisition PCB. Figure 3 shows the transceivers electrical schematic, where
signals with the label *uZed* come/go to/from the MMP processing PCB.

Also in the mission requirements it is stated that the experiment electronics
must present a safety mechanical turn on/off system. The power on command
shall come from the bunker, using a control box. This is not a requirement
160 for nanosatellites, but for the rocket mission. Therefore, the Multi-Mission
Platform is provided with an isolated push button circuit to switch it on and
off. Figure 4 shows the push button electrical schematic. Figure 5 shows the
control box, placed at the bunker.

Finally, the rocket electronics keeps all the experiments informed regarding
165 the lift-off and the microgravity condition. This is achieved by switching two
pins/lines to ground (lift-off and uG pins). It is extremely important to the
experiments to obtain these events triggering time reference in order to map
the experiments results with the flight dynamics. Therefore, the Multi-Mission
Platform has an analog circuitry to identify the events, as shown in Figure 6.
170 Besides the analog circuitry, the embedded software is responsible for including

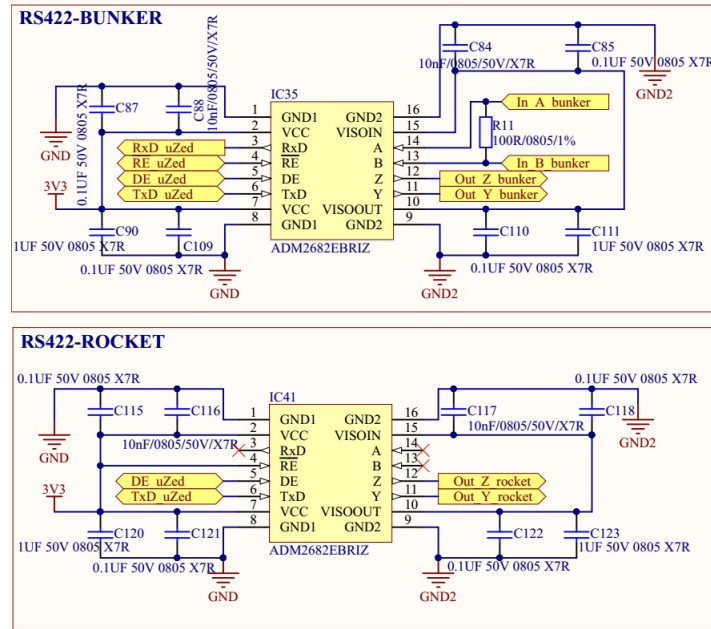


Figure 3: RS-422 transceivers electrical schematic

the events information on the data frame sent to the ground station (flight status byte).

3. The Experiment

The experiment to be performed in the sounding rocket is called New Medium
 175 Porous Technologies for Phase Changing Devices (MPM-A). It is carried out by
 an instrument which is implemented in a machined aluminum box with three
 compartments. The lower compartment contains both batteries (the thermal
 experiment batteries and the FloripaSat battery). The second compartment is
 entirely dedicated to the thermal experiment (Phase Changing Devices). The
 180 higher compartment contains the MMP and the FloripaSat subsystems. The
 experiment's goal is to test a thermal device, as well as the nanosatellite subsys-
 tems, using a Multi-Mission Platform as an interface for the devices under test
 and the rocket electronics. This section focuses on explaining the FloripaSat
 subsystems design and configuration procedures in order to test them aboard

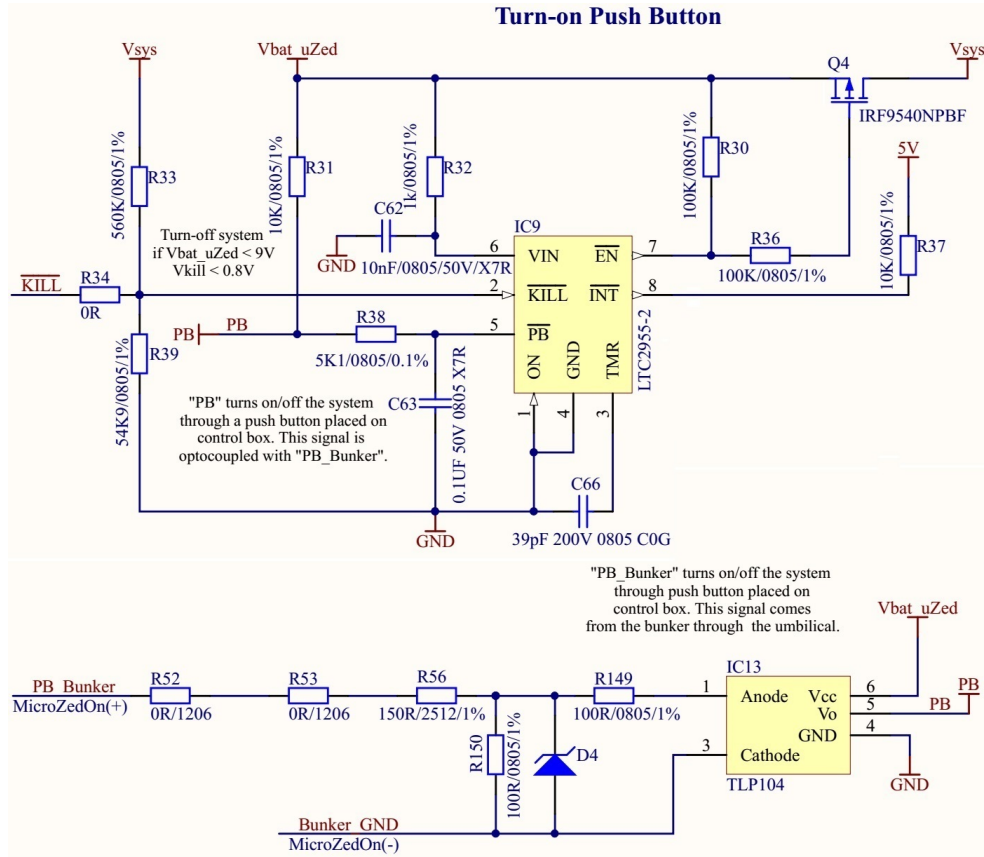


Figure 4: Push button turn on/off electrical schematic

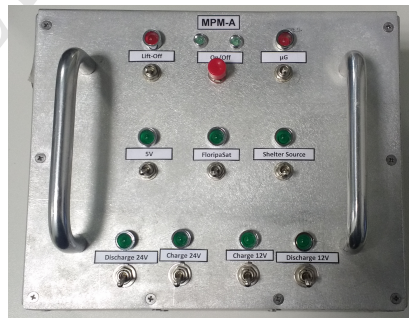


Figure 5: Control box

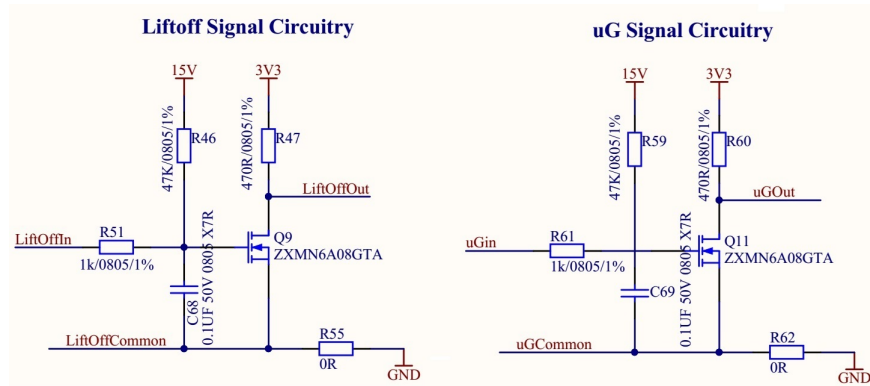


Figure 6: lift-off and uG circuitry

185 the sounding rocket. Figure 7 shows an overview of the experiment electronics internal and external communication.

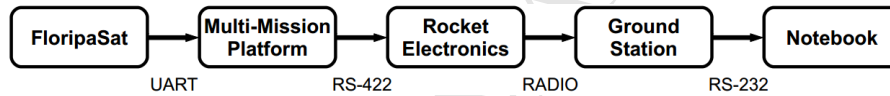


Figure 7: Experiment electronics communication diagram

3.1. FloripaSat architecture

FloripaSat main core has three subsystems: OBDH; TT&C; and EPS. The OBDH and the TT&C subsystems are located on the same PCB while the EPS is on a dedicated one. Combining functions of two different subsystems into a single subsystem/PCB is not a new idea and has been proven to be an effective approach for small satellites [12] [13]. The flight model of FloripaSat shall have subsystems communicating with each other through different interfaces as shown in Figure 8. Normally, the OBDH shall build up the data frame and send it to the TT&C subsystem (via SPI), which sends the data to the ground station (via radio transceiver). Also, in case the satellite receives a telecommand (via radio transceiver), the TT&C subsystem sends the data to OBDH (via SPI) in order to process it.

Figure 8 shows the FloripaSat configuration to operate in orbit, which differs
 200 from the configuration of the sounding rocket experiment (Figure 9). As mentioned in Section 2, it was not allowed to place an external dedicated antenna to directly test the TT&C communication. For this reason, a different communication configuration has been planned for the suborbital flight test with
 no hardware modifications made on the nanosatellite subsystems. For the sake
 205 of experiment electronics simplicity, only minor changes on the communication protocol were performed (see also Section 3.4) for complementary information.

In case of in-orbit configuration (Figure 8) the transceiver shall operate
 at 437.5Mhz, transmitting and receiving signals, while the beacon shall only
 transmit (unidirectional TM downlink) at 145.9Mhz. On the other hand, for
 210 the sounding rocket experiment (Figure 9), the beacon radio was configured to transmit data internally to the transceiver radio. Even without the antennas, the radio frequency circuits should be able to send and to receive data to each other, due to their proximity (both circuits were placed at the same PCB). To make the internal communication possible, the beacon radio transmitting frequency was changed to 437.5MHz (instead of keeping the original
 215 145.9MHz). Then, periodical messages were transmitted from the beacon radio to the transceiver, emulating what normally would be telecommands coming from the ground station to the transceiver.

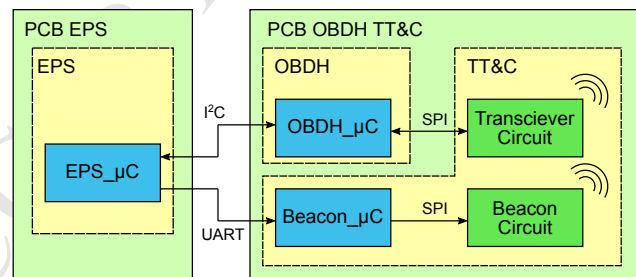


Figure 8: FloripaSat flight (in-orbit) model architecture diagram

The beacon microcontroller generates data (a simple 2 byte counter) and
 220 sends it through SPI to the beacon RF circuit. The data are transmitted to

the transceiver circuit, which receives the RF signal, decodes it, and sends the data to the OBDH microcontroller via SPI. After receiving the beacon data, the OBDH requires the EPS data (via I²C main bus), concatenates the received data with its own measurements, and compose the complete FloripaSat data frame. The OBDH microcontroller sends the data frame to the Multi-Mission Platform Processing PCB via UART, and finally, the data frame is sent to the rocket electronics via RS-422. Figure 9 summarizes this data flow process.

An important remark is that the beacon configuration to change its transmitting frequency from 145.9Mhz to 437.5MHz is performed externally, through the computer, writing in the chip internal memory. This means that no software is changed on the beacon side when comparing the in-orbit configuration scenario and the sounding rocket experiment.

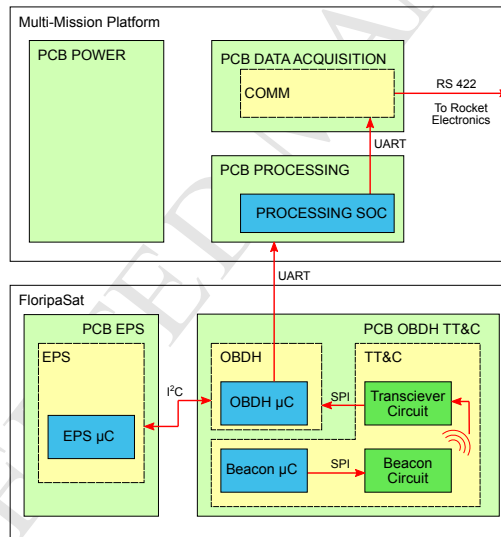


Figure 9: FloripaSat engineering model architecture diagram for the suborbital test

3.2. Mission frame definition

Before discussing in details the FloripaSat's telemetry data, it is important to recall that the Multi-Mission Platform acquires data not only from the FloripaSat subsystems, but also from a thermal experiment, as previously stated. Be-

fore sending the data to the ground station, the Multi-Mission Platform packs the thermal experiment data (174 bytes) and the FloripaSat data (42 bytes) into a multiple frames containing 432 bytes (216 payload bytes) every sampling
 240 period. The Multi-Mission Platform transmits the acquired data split into 72 frames of 6 bytes. The first 58 frames concern the thermal experiment data frame and the last 14 frames concern the FloripaSat telemetry data. Further discussions regarding each of the thermal experiment data is beyond the scope of this work. Therefore, the focus is kept on the FloripaSat. Figure 10 shows
 245 the structure of the data frame transmitted by the Multi-Mission Platform to the ground station.

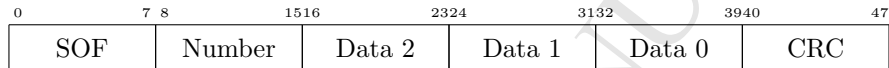


Figure 10: Data frame structure with the corresponding bit number above each field.

The Start of Frame (SOF) is the first byte transmitted to indicate to the ground station the beginning of a new frame and it is followed by the frame number used to identify the data field transmitted. The 3 following data bytes are the payload itself. The MMP generates a Cyclic Redundancy Check (CRC)
 250 considering 4 bytes of each frame: Number and the 3 data bytes. Due to the unreliable link between the ground station and the sounding rocket, the frame has only 3 payload bytes. By doing so, we avoid discarding a larger payload in case of data corruption at the expense of the overhead in each frame. **An analysis on the data loss due to communication failures during the rocket flight is presented in Section 7.**
 255

3.3. FloripaSat telemetry data

Unlike the thermal experiment data, the FloripaSat telemetry data are not generated at the Multi-Mission Platform. It is the nanosatellite's OBDH task
 260 to acquire data from subsystems and sensors, to generate an internal frame and to send it to the MMP through UART. Notice that the FloripaSat frame is then split by the MMP and encapsulated in its own frame previously described.

Since the FloripaSat OBDH main function is to control the nanosatellite tasks execution and build up the transmitted data frame, only few bytes were necessary to evaluate its own performance. Three OBDH features were tested with no need to include information on the data sent: 1 - receiving data from sensors and from other subsystems; 2 - the data frame generation routine; 3 - the communication with the transceiver. Additionally, an internal counter (two bytes for seconds and two bytes for milliseconds) has been implemented in the OBDH microcontroller. The counter data was sent as an internal parameter. Also, two bytes from microcontroller internal temperature have been included in the main data frame. Finally, a status byte has been generated, signaling eventual microcontroller anomalies in tasks execution.

The OBDH subsystem also has an Inertial Measurement Unit (IMU), whose data have been included in the data frame sent by the FloripaSat. Both acceleration and rotation have been measured, in three different axis. Every measurement consists of two bytes, totaling twelve bytes of information.

The main EPS subsystem functionality is to control the battery charge and discharge process, as well as to ensure the proper power distribution for all the nanosatellite subsystems. Normally, EPS subsystems have a battery monitoring chip, circuit or subroutine. Therefore, the piece of information selected to evaluate the EPS performance was related to the battery monitoring. Input power is also a crucial aspect to be monitored, however, no external solar panels were allowed for the VSB-30 flight. Therefore, regarding the power input test, only the battery charge procedure (established on ground, before the rocket lift-off) has been monitored. Eleven bytes have been reserved for the EPS subsystem, as follows: battery electrical input/output current (two bytes); battery voltage (four bytes); battery monitoring chip internal temperature (two bytes); battery remaining electric charge (two bytes); and finally the EPS status (one byte).

It is important to mention that the FloripaSat internal data frame integrity is firstly verified by the Multi-Mission Platform (FloripaSat - MMP UART communication integrity verification). Later, in a second verification level, the ground station processing software verifies the mission main data frame (rocket elec-

tronics - ground station radio communication integrity verification - see Section
 295 4).

Therefore, in order to the MMP to identify the FloripaSat data frame (higher
 level verification), three bytes were defined as Start of Frame, and three bytes as
 the End of Frame (EOF). These bytes allow the ground station decoder software
 to correctly identify the beginning of new upcoming data frames, after receiving
 300 an eventual broken frame. Finally, an eight bit CRC has been implemented to
 identify corrupted data frames. The list containing all field in FloripaSat data
 frame is shown next.

1. Start of Frame (SOF), 3 bytes: Start of Frame delimiter.
2. OBDH timestamp (s), 2 bytes: seconds representation of OBDH counter.
- 305 3. OBDH timestamp (ms), 2 bytes: milliseconds representation of OBDH
 counter.
4. OBDH temperature, 2 bytes: OBDH internal temperature.
5. OBDH status, 1 byte: OBDH internal status.
6. IMU acceleration x-axis, 2 byte: IMU acceleration in the x-axis.
- 310 7. IMU acceleration y-axis, 2 byte: IMU acceleration in the y-axis.
8. IMU acceleration z-axis, 2 byte: IMU acceleration in the z-axis.
9. IMU angular rate x-axis, 2 byte: IMU angular rate in the x-axis.
10. IMU angular rate y-axis, 2 byte: IMU angular rate in the y-axis.
11. IMU angular rate z-axis, 2 byte: IMU angular rate in the z-axis.
- 315 12. Radio counter 1, 2 byte: TT&C most significant transmitted data counter.
13. Radio counter 2, 2 byte: TT&C less significant transmitted data counter.
14. Battery current 2, 2 byte: Current drawn from battery.
15. Battery voltage 1, 2 byte: Voltage on battery 1.
16. Battery voltage 2, 2 byte: Voltage on battery 2.
- 320 17. EPS temperature, 2 byte: Internal EPS temperature.
18. Electric charge, 2 byte: Battery remaining electric charge.
19. EPS status, 1 byte: Status register for the battery protection circuit.
20. CRC, 1 byte: CRC of all previous field except for SOF.
21. End Of Frame (EOF), 3 bytes: End of frame delimiter.

325 *3.4. Communication protocol specification*

The VSB-30 electronics receives data from the payload through an RS-422 interface. This interface is not common on nanosatellite applications due to its voltage requirements. Instead of including an RS-422 driver in the FloripaSat, in order to attend the rocket requirements, it was placed on the Multi-Mission Platform (see Section 2).

330 Two different communication channels have been implemented on the Multi-Mission Platform (see Figure 3). The first one is dedicated to the communication between the bunker and the experiment electronics, before the rocket lift-off, where the main limitation on this channel is the distance between the bunker and the rocket (which is below the RS-422 standard limitation of 1500 m). This is a point to point channel and could be taken to the physical bandwidth limits defined by the standard. The second channel concerns the communication of the experiment and the rocket electronics used to transmit the data to the ground station. It is limited in bandwidth due to all the payload experiments on board the rocket using the same channel. The maximum allowed baud rate for each experiment on board was 57,600 bps.

The Multi-Mission Platform receives FloripaSat data frames through a UART port. There is no synchronization protocol between them but, to ensure that no data are lost due to overflows, the Multi-Mission Platform defines a maximum UART baud rate and guarantees that below that limit, it is able to store and transmit all the received data frames. The Multi-Mission Platform initially parses the received data to ensure it follows the data frame specification presented previously. It initially searches for the SOF bytes and then it buffers all the data it receives, until it finds the EOF bytes. Next, it checks if the CRC is valid. If it is, the data frame is stored for transmission with the rest of the experiment data. In case of a mismatch in the CRC, the data frame is discarded.

345 **One important remark is that the communication between the EPS and the beacon microcontroller, which shall occur for in-orbit configuration (see Figure 8) has not been tested on the sounding rocket test procedure (see Figure, where there is no EPS-beacon UART communication). The reason for this**

decision is that, in a real mission, the EPS data goes to the ground station via the beacon radio, and not back to the OBDH, as designed for this experiment. Implementing this for the sounding rocket mission would allow testing the EPS - beacon communication, but on the other hand, it would cause an overhead on the OBDH functionality. The OBDH would have enough computation resource for this task, but the embedded code would be considerably different from the OBDH flight software for the satellite mission in orbit. Therefore, the decision was to keep it simple, not testing this portion of the protocol in the suborbital flight.

A protocol modification was also necessary on the beacon/transceiver communication. In case of in-orbit operation, when a telecommand is received by the transceiver, the OBDH decodes it and executes the command. In the sub-orbital mission configuration, the "telecommand" received by the transceiver (sent by the beacon) does not cause the OBDH to execute any task. In fact, this "telecommand" is a counter running on the beacon microcontroller, which has its current value sent periodically (every each increment) to the transceiver. This was made to simplify the internal communication test, since the beacon is not supposed to generate telecommands. This internal communication between beacon/transceiver shall never occur in orbit, and for this reason the proposed protocol has been simplified, with the intention to test the RF link only.

4. On-ground data processing software

In order to send as much information as possible to the ground station, both the thermal experiment and the FloripaSat data were transmitted in raw format. As explained in Section 3.2, the data were packaged to frames with SOF, Number and CRC bytes. Therefore, a software application was implemented to allow data unpacking, processing and logging at the bunker during the rocket flight. The software was based on LabVIEW language, running in a notebook placed at the bunker.

As mentioned previously, the mission main data frame has 432 bytes (72

385 frames of 6 bytes) where the last 84 (14 frames of 6 bytes) are the ones related
 to the FloripaSat. Therefore, the LabVIEW software has been designed to
 identify the FloripaSat frames in order to unpack and process them. Since each
 frame contains 3 bytes of data (the other 3 bytes are SOF, Number and CRC),
 there are 42 data bytes in total which contain information from the FloripaSat
 390 (payload bytes). These are the bytes that must be converted by the LabVIEW
 software into readable information to be saved during the rocket flight.

Figure 11 shows the FloripaSat data frame extraction from the mission data
 frame. It occurs in two parallel paths. The first one (upper part of Figure 11),
 extracts the frames 60 to 71, which are the FloripaSat data frames excepting
 395 the EOF and the SOF. These 12 frames go to the Fsat subVI in order to be
 processed. This VI converts the data to readable values, sends them to the
 LabVIEW Front Panel (left hand column (Data) in Figure 12). For each data
 value on the LabVIEW Front Panel (left hand column), there is a label to
 identify it (e.g. Clock(s), Clock(ms), Internal Temp., etc.). After the data
 400 unpacking and conversion, they are saved in a .csv file.

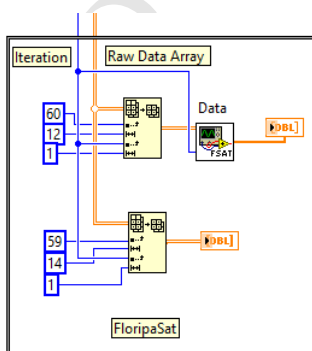


Figure 11: LabVIEW block diagram of FloripaSat data unpacking process

The second path in Figure 11 is dedicated to extract frames 59 to 72 from the
 main frame, which contains all the FloripaSat data (including EOF and SOF).
 This vector is directly sent to the LabVIEW Front Panel (right hand column
 (Raw Data) in Figure 12). Every line of this column shows a 3 byte payload,

405 presented in hexadecimal format, which does not relate to the labels on the left side of Figure 12. After this extraction, the raw data are saved in a .csv file, for redundancy and posterior processing, in case it is necessary.

| FloripaSat | | |
|-----------------|------|----------|
| | Data | Raw Data |
| Clock (s) | 0 | 0 |
| Clock (ms) | 0 | 0 |
| Internal Temp. | 0 | 0 |
| Status | 0 | 0 |
| Accel. X | 0 | 0 |
| Accel. Y | 0 | 0 |
| Accel. Z | 0 | 0 |
| Gyroscope X | 0 | 0 |
| Gyroscope Y | 0 | 0 |
| Gyroscope Z | 0 | 0 |
| Radio 1 | 0 | 0 |
| Radio 2 | 0 | 0 |
| EPS Current | 0 | 0 |
| Voltage Batt. 1 | 0 | 0 |
| Voltage Batt. 2 | 0 | 0 |
| Temperature | 0 | 0 |
| Acc. Current | 0 | 0 |
| Status | 0 | 0 |

Figure 12: LabVIEW front panel for the FloripaSat received data

Figure 13 shows the Fsat subVI. This block receives the mission frames 60 to 71 (72 bytes - 12 frames of 6 bytes) and extracts only the FloripaSat 36 payload bytes (12 frames with 3 payload bytes each). This process removes the frame bytes SOF, Number and CRC. This is achieved through a for loop, which does 12 iterations: each iteration receives a frame, extracts only the 3 payload bytes from it and allocates them to a new vector. At the end of the 12 iterations, the 36 payload bytes are stored in a vector that is forwarded to the next processing block.

The second processing block receives the vector with 36 bytes and, through another for loop, rearranges them in a vector with 18 positions. This reorganization is performed in order to generate the 18 data observed in Figure 12: timestamp, accelerometer, gyroscope, current, voltage, etc. In addition to rearranging the data, some of them go through formulas in order to be converted to meaningful data. This 18 position vector is the output of the Fsat subVI. It is reinserted into the mission data array (which also contains the processed data from thermal experiment) and then saved to a file. Therefore, the on-ground

425 data processing software allows the converted and raw data being visualized during the flight and saved in files for further analyses.

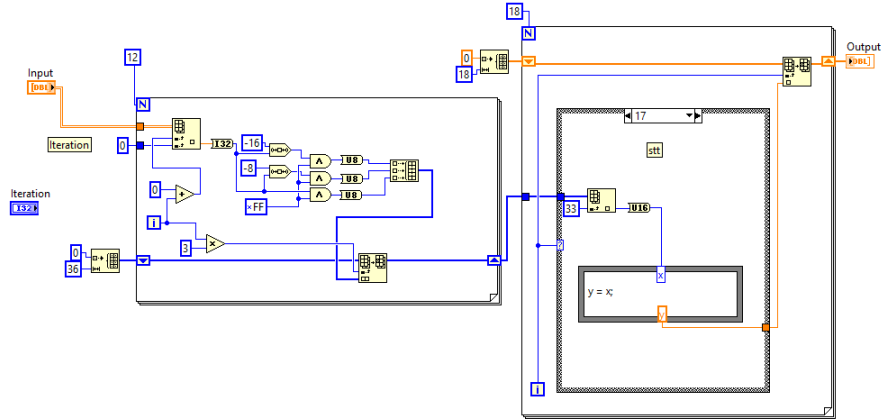


Figure 13: LabVIEW subVI of FloripaSat data decoder

5. Integration process

The nanosatellite subsystems integration to the MPM-A instrument has occurred in three levels. First, the FloripaSat subsystems have been integrated one with each other. Then, the subsystems were integrated with the MMP. Finally, the FloripaSat subsystems and the battery were integrated in the MPM-A machined aluminum box. The first integration level started with the nanosatellites subsystems placed side-by-side, connected by wires, with their software running in debug mode. Initially, powering tests have been conducted, using voltages supplies instead of the battery, in order to certify that the EPS was correctly supplying power to the OBDH and TT&C subsystems. After passing the preliminary powering tests, the FloripaSat battery have been assembled. It consists of two lithium ion battery cells connected in series (ICR18650-30B) and covered in silicon. Three wires were routed from the battery (lower instrument box compartment) to the subsystems (higher instrument box compartment). The wires were connected to the battery GND, to the intermediate voltage point (between

430

435

440

two battery cells), and to the total voltage point.

After that, the FloripaSat PCBs internal communication were tested. To achieve this, a simple periodic routine was implemented to send a vector of fixed bytes from EPS to OBDH through I²C protocol. To verify the correctness
445 on this internal communication, the OBDH was configured to send the vector of bytes to a computer, through UART. After validating the internal communication, the EPS software has been modified to acquire real data from its sensors. Also, the OBDH included real sensors data to the FloripaSat data frame sent to the computer. Finally, the communication between TT&C and OBDH has
450 been validated. A counter has been implemented on the beacon microcontroller, for each performed transmission to the transceiver. The SPI communication between these two subsystems has been validated by checking the counter increases on the final data vector sent from the OBDH to the computer.

Then, the integration with the MPP initiated. Both electronics were placed
455 side-by-side and the activating system has been wired up from MPP to FloripaSat subsystems. It is important to understand how this solution has been implemented. Nanosatellites are normally turned on by deployment switches attached to the satellite's structure [14]. These switches remain deactivated when the satellite is inside the launcher, causing the satellite to electrically dis-
460 connect the power system from the others. Once the satellite is launched, these switches electrically close and the satellite is powered on.

The activating circuit schematic, considering the case of a satellite mission, is shown in Figure 14. Two P channel MOSFETs are connected to the deployment switches and to the Remove Before Flight (RBF) to power off the subsystems.
465 When the RBF is placed or/and the deployment switches are open (this is the condition when the satellite is placed in the deployment mechanism, e.g. P-POD), the P-channel MOSFETs do not allow the current to flow from the battery to the load. When the satellite is placed in the deployment mechanism, the RBF shall be removed, since the deployment switches will remain opened.
470 When the satellite is released in orbit, these switches close, and the satellite is powered.

However, in the sounding rocket mission, this activating system needed to be changed. First of all, there was no deployment mechanism to place the subsystems in, since they were not deployed from the rocket, as in a common satellite mission. Secondly, the FloripaSat subsystems shall be activated by the MMP, when it receives the lift-off signal. Therefore, the FloripaSat EPS hardware was configured in order to attend the sounding rocket mission requirements.

It is important to differentiate hardware configuration from modifications in hardware. The first concept is related to components values that may be changed, or components that may or not be assembled in the PCB. On the other hand, the hardware modification concept implies on changes on the PCB circuit, which results in a new PCB design or in irreversible re-manufacturing changes on the PCB (e.g. cutting tracks). From the original FloripaSat switching circuit (Figure 14) to the modified version (Figure 15), only a new hardware configuration was defined for the EPS. A FloripaSat engineering model pair of PBCs was assembled specifically for the sounding rocket campaign, therefore the hardware could be previously configured.

The resistor R26 in Figure 15 was mounted with $133k\Omega$, instead of 0Ω (as in the original schematics shown in Figure 14). The Remove Before Flight connector was not mounted on the PCB, and its terminals have been short-circuited. End-rail switches connectors have not been mounted (since those switches are not used in the sounding rocket experiment); jumpers were mounted in their places. Resistor R80 has not been mounted (Figure 14) and the NPN transistor has been mounted in its place, with the transistor's base pin being wired to the Multi-Mission Platform (Enable Multi-Mission Platform). As the P-channel MOSFET only conducts when it has a low level voltage in its gate, this configuration allowed the Multi-Mission Platform to enable the FloripaSat subsystems, as shown in Figure 15.

After that, the FloripaSat was connected with the Multi-Mission Platform to test the switch on procedure and communication through UART. The data generated by FloripaSat were sent to the Multi-Mission Platform and then sent to a computer running the LabVIEW data processing software, which allowed

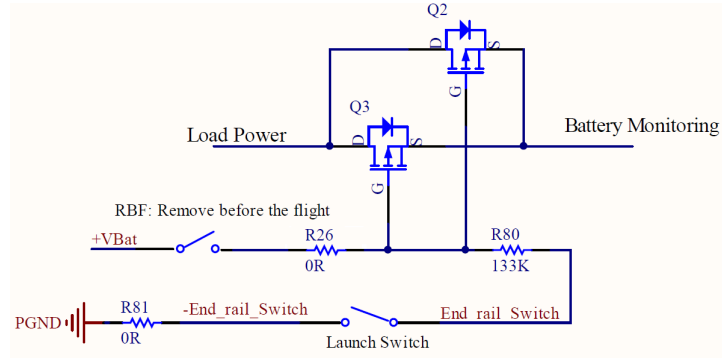


Figure 14: Original switching on circuit from FloripaSat

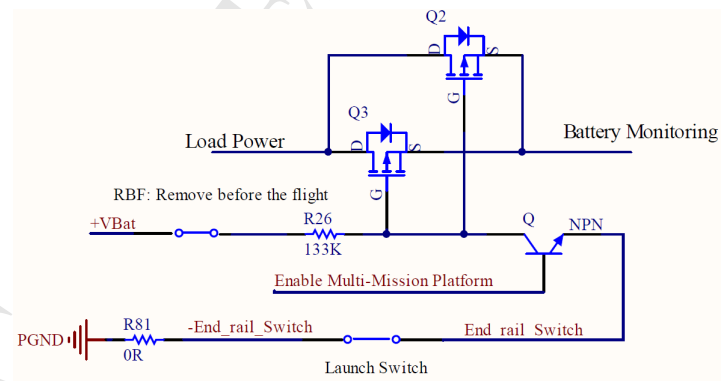


Figure 15: Modified switching on circuit to turn on FloripaSat subsystems by MMP

the debugging of the FloripaSat running the release software version. During this phase of the integration, software bugs were found in the LabVIEW software
505 which led to additional test procedures, such as the usage of an oscilloscope to verify the frequency which data were being sent by the OBDH.

Then, the flight version of the software was programmed into the boards before stacking them, since the programming connectors were not accessible after mechanical integration. After this step, the FloripaSat PCBs were stacked.
510 The electrical connection between boards is performed through a PC-104 style connector. Metallic spacers have been screwed between PCBs to guarantee mechanical stability. The connections between FloripaSat subsystems and the MMP were made by soldering wires. To increase the mechanical stability of electronic components on the PCBs, silicone was poured over the most sensitive
515 areas of all subsystems. Figure 16 shows a photo of the FloripaSat OBDH, EPS and TT&C subsystems under integration.

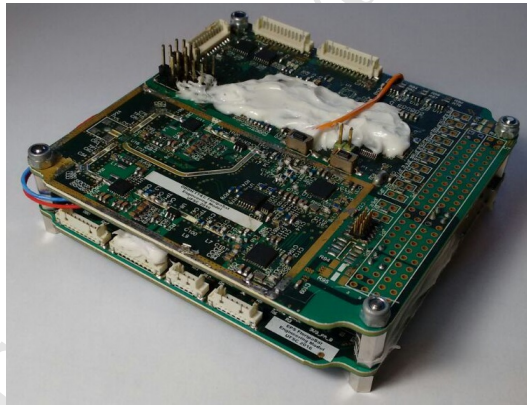


Figure 16: FloripaSat OBDH, EPS and TT&C subsystems under integration

After this test procedures, the FloripaSat subsystems were attached to the top part of the MPM-A aluminum case. Also, the batteries have been placed at the lower compartment of the aluminum case. Figure 17 shows a photo of the
520 MPM-A instrument under integration, just before closing it.

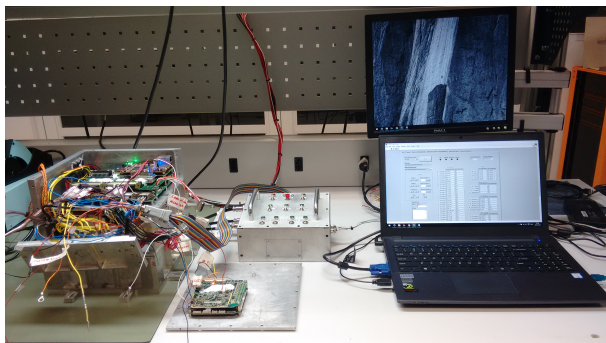


Figure 17: FloripaSat subsystems under integration with the MPM-A instrument

6. Acceptance tests

After the integration process, carried out at the Federal University of Santa Catarina, the MPM-A has been sent to the Department of Aerospace Science and Technology (DCTA, in Portuguese), from the Brazilian Air Force, to be submitted to the flight acceptance tests. This test procedure differs from the flight qualification tests, where the experiments are submitted to similar conditions to the rocket flight. On the vibration test, the instrument (the complete aluminum casing with the MPP, FloripaSat subsystems, thermal experiments and batteries) has been submitted to frequencies from 20 Hz to 2 kHz in aleatory mode. The tests were performed for the three axes (x, y and z), separately. The acceptance test level for the payload instruments, adopted for this sounding rocket mission was 6.1 $gRMS$. In case of qualification tests, it would be 13.2 $gRMS$.

The reason for applying acceptance tests, which are less severe than qualification tests, is that such research experiments normally do not have a spare sets for severe tests that may cause irreversible damages to them. The lacking of spare sets are normally caused by the experiments' complexity, high cost and long development time. The same situation applies to nanosatellites. The intrinsic idea of low cost and fast development time, comparing to bigger satellites, precludes the research groups of fabricating two identical versions of their

spacecrafts. Therefore, the nanosatellites flight model are normally not submitted to severe qualification tests. This may also be one of the causes for a high failure rate on this class of satellites.

Therefore, this work suggests firstly submitting the nanosatellite subsystems engineering model to an acceptance test, which is faster, cheaper and less degrading. Then, testing these subsystems under flight, with the subsystems operating along the whole flight, recording data on severe and real flight conditions. Engineering model subsystems are far cheaper than the whole integrated flight model nanosatellite, which includes mechanical structure, solar panels, antenna, etc. In case the subsystems fail or crash at any moment on the flight, the data are recorded and may be further analyzed, avoiding committing the same design mistakes on the flight model.

After this level of tests with the engineering model subsystems, the flight model may be more reliably designed, and then the acceptance tests will be enough to preclude the satellite failures on the real mission. Besides this, having an in-flight test during the satellite design phase motivates the team and sets up hard deadlines which are important for students to accomplish. Figure 18 shows a flow chart summarizing the proposed test procedure. Each box represents a step on the procedure, which were described in more details through the paper's sections.

Figure 19 shows the MPM-A instrument right before the acceptance tests at the DCTA. Due to military restrictions, it was not possible to take pictures of the MPM-A instrument under acceptance tests. The performed tests were: mass test; fit test; and vibration test. Vacuum tests were not needed because the rocket payload modules were pressurized and hermetically sealed.

After the MPM-A instrument has passed the acceptance tests, the rocket payload and its electronics were integrated and submitted again to a new acceptance test. Next, when the rocket payload has passed through all the acceptance tests, it was partially disassembled to be sent to the Alcântara Launching Center. After the final integration at the launching center, the rocket was ready for flight.

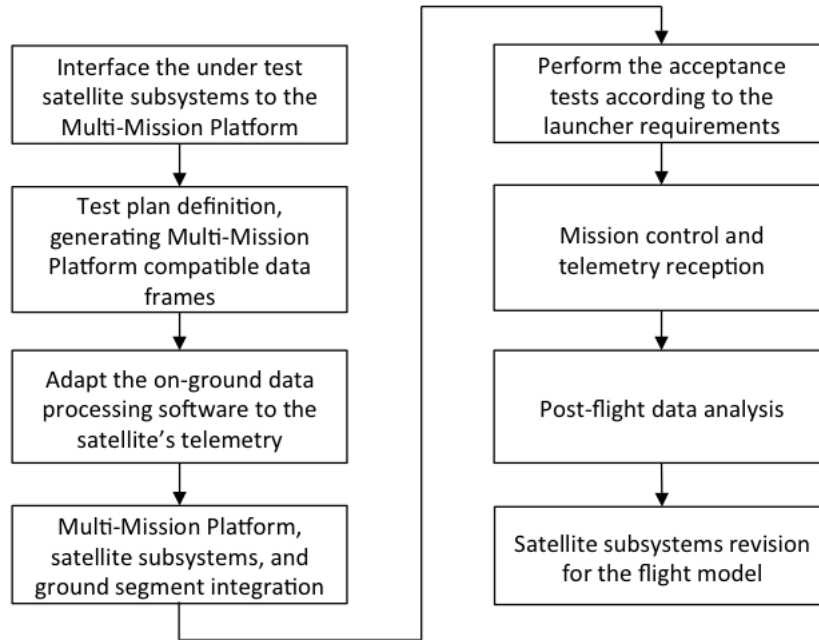


Figure 18: Proposed test procedure



Figure 19: MPM-A instrument after acceptance tests - ready for flight

7. Flight results

This section is dedicate to present the nanosatellite results during the sound-
ing rocket mission. The intention is to verify the nanosatellite operation under
575 severe conditions, once the nanosatellite was operating even before the rocket
lift-off.

However, before analyzing the flight data, it is important to briefly describe
the mission phases, in order to correctly interpret the results.

- 580 • **Phase 1** - The MMP and the FloripaSat have been turned on with the
rocket at the launching platform 30 minutes before the rocket lift-off. At
this moment, there was a physical communication between the MMP and
the bunker, through the umbilical cable. This allowed receiving data from
the FloripaSat and also charging its battery (see Figure 1).
- 585 • **Phase 2** - Three minutes before the launching, the batteries charging
process (for both the MPP and the FloripaSat) was intentionally inter-
rupted, due to safety reasons, as a mission requirement. However, the
MMP and the FloripaSat remained operating and sending data to the
bunker through the umbilical cable.
- 590 • **Phase 3** - At the lift-off moment, the umbilical cable was disconnected
and the rocket entered on flight mode. From this moment on, data have
been sent through the rocket radio communication system only. Flight
data were received by the ground station antenna and sent to the bunker
to be processed by the on-ground data processing software.
- 595 • **Phase 4** - After nearly 1 minute the rocket should have entered the micro-
gravity phase. Unfortunately, due to the rocket malfunctioning, which is
not related to the experiments, this phase was not observed in this flight,
and the respective related data are not available.
- 600 • **Phase 5** - After less than 3 minutes the rocket payload parachute system
has been activated and the payload safely landed on sea nearly 6 minutes
after the lift-off.

The rocket electronics generates two important signals to the payload experiments: lift-off and microgravity signals. These signals are important time references for data analyses. However, since there was no microgravity condition in this flight, only the lift-off signal has been received on the MMP. In
605 our experiment, besides the lift-off signal time reference, the batteries charging interruption (which has occurred before the lift-off) has also been registered in order to be considered on mission data analyses. The parachute activating system generates no signal to the experiments, therefore, there is no specific time reference for this flight event.

610 The first results to be analyzed are the FloripaSat EPS data, acquired before and during the flight by the battery monitoring chip. This chip communicates with the EPS microcontroller and measures battery cells voltages, battery current, battery remaining electric charge and temperature. The acquired data are sent from the EPS microcontroller to the OBDH microcontroller through the
615 I²C protocol, as shown in Figure 9.

Figure 20 shows the FloripaSat battery cells voltages behavior along the time. During the phase that FloripaSat was operating with the rocket at the launching platform (nearly 27 minutes), one may note that both battery cells remained nearly at the same voltage level. When the charging process was
620 interrupted, the cells voltage instantaneously dropped, but remained on the expected operating level. Also, it is possible to identify a slightly voltage drop for both battery cells during the flight, due to the discharging process. No unexpected behavior has been identified on this result.

Figure 21 shows the FloripaSat instantaneous battery current behavior during the mission. Negative currents represent the battery discharging behavior.
625 This plot shows that, even during the charging period, the battery current remained negative. The first reason for this behavior is that the subsystems were operating during the battery charging process and they demanded more current than the charging current. The second reason was the adopted charging methodology, which is constant voltage charging. It is well known from the literature
630 that constant voltage is not the most appropriate way to charge lithium-ion

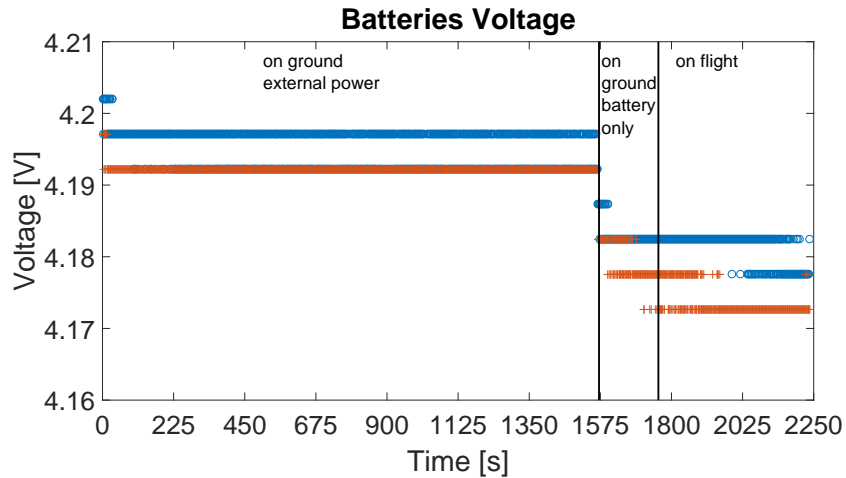


Figure 20: Battery cells voltages

batteries [15], however, this was the safest manner to charge the battery at that critical moment. Constant current charging could lead the battery cells to over-voltage state (there was no external charging control system available), which would activate the battery protection system minutes before the flight. In order to avoid this unnecessary risky condition, a most conservative approach has been chosen.

This charging issue faced during the mission has led to a charging circuit design, which will be used for battery external charging procedure before the FloripaSat flight. Also, the research group is testing a constant current charging circuit block to be implemented between the solar panels and the battery. This could reduce the EPS harvesting energy capability, but extend the battery lifetime. Therefore, this different architecture is under consideration for future EPS designs.

Figure 21 also shows that, after the lift-off, the battery current remained constant along the whole flight, on the expected level of nearly 23 mA (global current consumption of all modules).

Figure 22 shows the electric charge of the battery before and during the

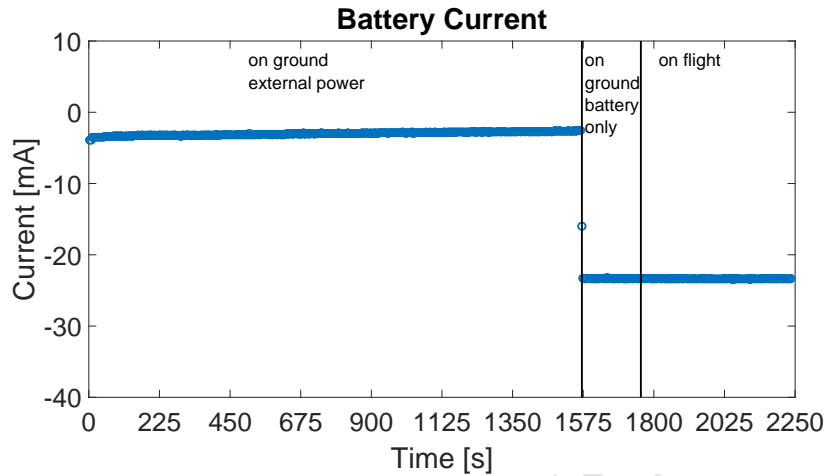


Figure 21: Battery current

flight. The battery monitoring chip is provided with an instantaneous current
 650 integrator, which allows the EPS to obtain battery state of charge information.
 This data is extremely valuable to the FloripaSat in order to schedule its tasks.
 Figure 22 shows a slightly decrease on the battery remained electric charge
 before the flight. This occurs, as explained above, due to the higher consuming
 current than the charging current. After the battery charging interruption, one
 655 may note that the battery discharging rate has increased. Also, this figure shows
 that during the flight, the battery discharging rate was the same than before
 the flight, since the subsystems power consumption has remained the same.

Figure 23 shows the battery monitoring chip internal temperature. A consid-
 erable temperature increase may be noted in this plot. Two are the main reasons
 660 for this effect: the first one is that the thermal experiment dissipates heat to
 the instrument aluminum casing (pre-heating operation mode), which leads to
 an overall temperature increasing inside the electronic compartment; the sec-
 ond reason is the chip internal self heating due to its operation. **One should
 note that the heat dissipation to the instrument aluminum casing, due to the
 665 thermal experiment, may affect the thermal environment for the nanosatellite**

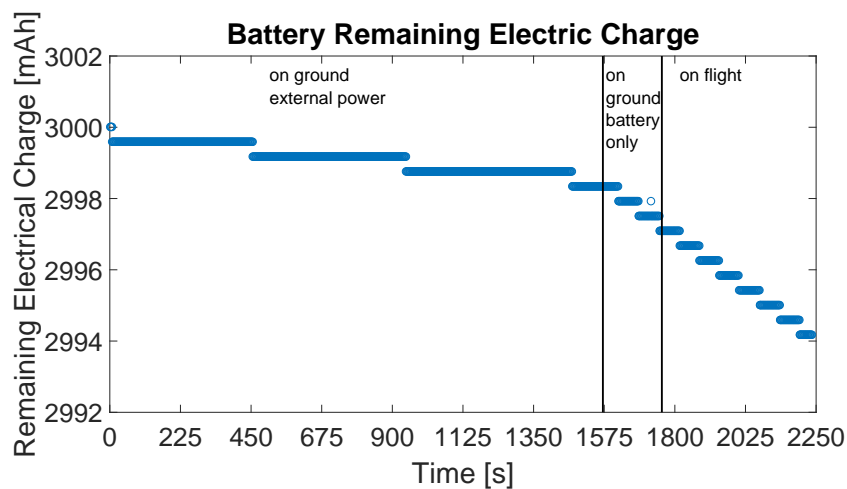


Figure 22: Battery remaining electric charge

subsystems tests. However, real environments, which would include transient boundary conditions, are very difficult and expensive to reproduce in the laboratory. Actually, the relevant observation here is that the temperature increasing rate was higher after the launch. Again, two reasons may have contributed to this: the first one is the rocket casing heating, due to the the air friction, which affects the whole experiment temperature behavior; the second reason is that the thermal experiment dissipated power was higher during the flight (heating up mode).

Figure 24 shows the OBDH microcontroller internal temperature. The temperature curve has a similar behavior than the one acquired by the EPS. This result confirms the consistence on the results, since two different sensors, in two different PCBs have registered similar results.

The temperature increase rate observed in Figures 23 and 24 is significantly higher than the ones applied on qualification tests (for instance, in thermal cycling test). The combination of harsh conditions verified along the rocket flight stage (high vibration, acceleration, mechanical shock) associated with this high increasing rate of temperature may cause satellite failures noted only

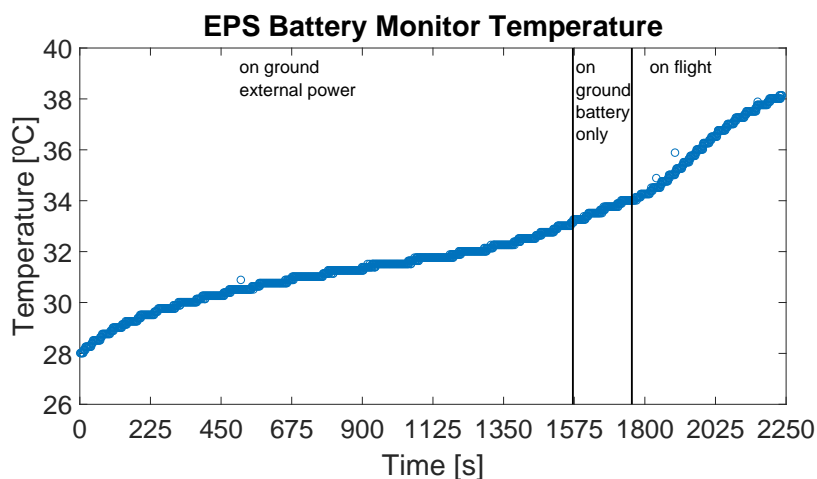


Figure 23: Battery monitoring chip internal temperature

when the spacecraft is in orbit. Therefore, the failures causes (or the failures themselves) may not be identifiable and recorded without the proposed test
 685 procedure or similar. Although the thermal environment inside the rocket is not representative when compared with the in-orbit condition, it may be considered a solution to record the nanosatellites' systems behavior during the rocket flight, as a matter of analysis, once all satellite shall face this mission stage.

Figure 25 shows the acceleration measurements performed by the OBDH
 690 IMU (MPU6050). From the plot, one may note only the g acceleration on z-axis before the launching, since the rocket z-axis was perpendicular to the Earth's surface at the launching platform. Also, as expected, there was no acceleration on axis x and y before the launching. Figure 25 shows the acceleration at the launching moment. Right after the lift-off, acceleration on z axis shows a peak
 695 of approximately 10 g and kept varying due to the ascendant movement of the rocket. As the rocket trajectory changes, x and y acceleration components were also increasing. Nearly at 1800 s the first stage separation occurred, causing high amplitudes on all axes. Due to a rocket belt separation fail, the acceleration level were higher than the expected and the rocket payload did not reach the correct

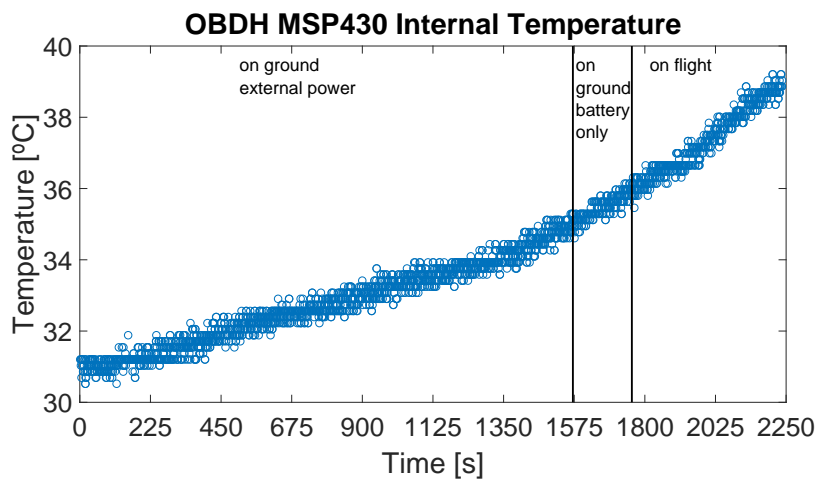


Figure 24: OBDH microcontroller internal temperature

700 velocity to obtain microgravity conditions. After 1830 s the rocket appears to be reached low gravity environment, but due to the reduced time, it may be interpreted as a free fall before the parachute opening. After 2050 s, z axis component has returned to the same level before launching, and the other two axis acceleration returned to zero (rocket on vertical position).

705 Figure 26 shows the rotation measurements performed by the OBDH IMU. Before the launching, as the rocket was attached to the launching platform, no rotation was measured on any axis. After launching, fast rotation around z axis was recorded, due to the ascendant spinning movement of the rocket. The plot shows a saturation on the z axis measurement, which could be avoided using a dynamic IMU range reconfiguration. However, this rotation rate is not expected to occur when the satellite is in orbit. Therefore, no additional IMU reconfiguration software routine has been added for the sounding rocket mission.

At 1800 s, rocket attitude control was activated but due to the belt separation problem it failed. At 1900 s parachute was opened. Figure 26 one may also estimate the landing time (close to 2150 second in the plot), since no rotation is verified in all axes.

715

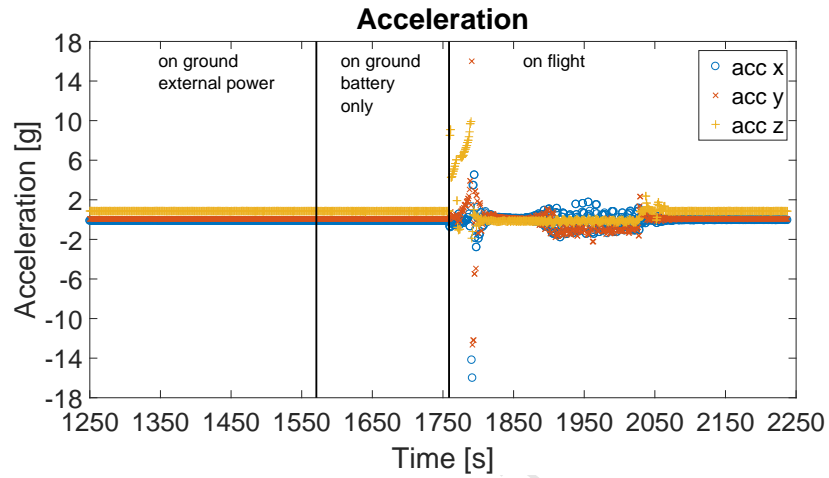


Figure 25: OBDH acceleration measurements

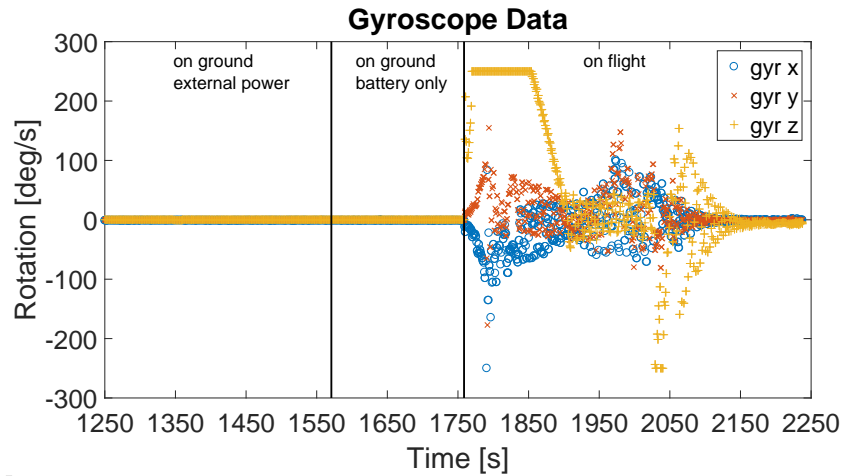


Figure 26: OBDH gyroscope measurements

Unfortunately, there was no communication between the transceiver (CC1125) and the beacon transmitter (CC1175). Further analyses allowed to detect an intermittent communication fail between the radios, which was caused by a design
720 mistake on the transceiver circuit. For the transceiver to work properly with the frequency used on this project (437.5 MHz), the crystal should have frequencies higher than 40MHz. The lack on attending this requirement has caused a frequency shifting on the transceiver. Although the beacon radio probably transmitted correctly (verified by operational tests before and after the flight),
725 the transceiver did not receive the data. This hardware bug has already been corrected and tests with the new hardware are being carried out at the laboratory. Fortunately, most FloripaSat data was sent to the MPP through the OBDH communication (via UART), which allowed to test all other subsystems' functions.

730 Finally, a telemetry data loss shall be performed in order calculate the percentage of missed frames along the mission. This is an important parameter to evaluate the verification layers proposed both in the embedded software as well as in the ground station software. Since the rocket payload has been recovered, it was possible to compare the expected number of frames received by
735 the ground station with the number of frames written in the OBDH internal memory. After computing both internal memory saved and telemetry received number of frames the conclusion was that 95.44% of the frames have been successfully received by the ground station.

740 Figure 27 present a comparison between data received on the ground station and data saved in the OBDH internal memory along the flight for the OBDH microcontroller internal temperature measurement. One may note that there are slightly more points from the internal memory data than from the telemetry data, which represent the 4.56% on data losses.

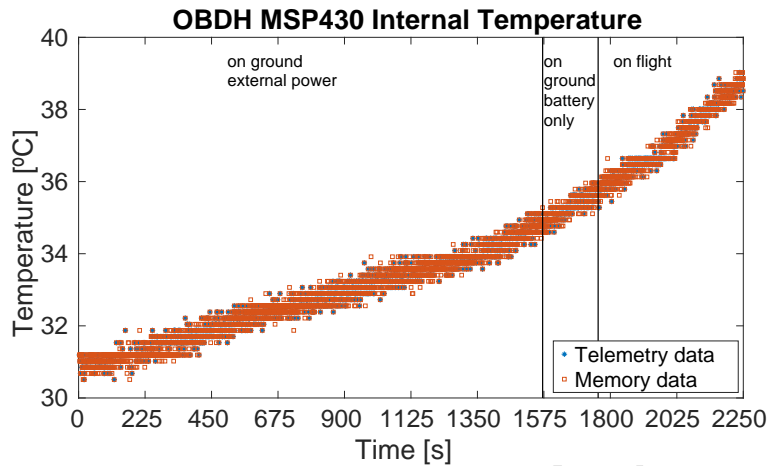


Figure 27: Telemetry - internal memory comparison: OBDH microcontroller internal temperature

8. Conclusion

745 This paper has presented a qualification test procedure for nanosatellites which allows analyzing the subsystems behavior under severe flight conditions. The idea behind the proposed test procedure, is to fly the engineering model of a nanosatellite in sounding rockets missions, before designing the satellite flight model. The work has described the hardware and software needs to build an interface between the rocket and the nanosatellite subsystems. The test interface (Multi-Mission Platform) allows to keep the tests as close as possible to the actual conditions that the satellite shall be submitted in the real mission. 750 A case study has been presented, testing the FloripaSat engineering model subsystems, for which the sounding rocket flight results have guided to important modifications in the satellite flight model. 755

Besides the technical improvements obtained from the flight results analysis, the sounding rocket mission added operational and schedule constraints that have motivated the FloripaSat team. The mission requirements imposed by the DCTA have guided the team through procedures and methodologies that must be followed in space application projects. The experience obtained 760

with the sounding rocket flight will certainly contribute to FloripaSat-I mission campaign, improving the team ability to manage the project schedule and to accomplish space mission requirements.

References

- 765 [1] D. Del Corso, C. Passerone, L. Reyneri, C. Sansoe, S. Speretta, M. Tranchero, Design of a university nano-satellite: the picpot case, Aerospace and Electronic Systems, IEEE Transactions on 47 (3) (2011) 1985–2007.
- [2] A. Poghosyan, A. Golkar, Cubesat evolution: Analyzing cubesat capabilities for conducting science missions, Progress in Aerospace Sciences 88
770 (2017) 59 – 83. doi:<http://dx.doi.org/10.1016/j.paerosci.2016.11.002>.
URL <http://www.sciencedirect.com/science/article/pii/S0376042116300951>
- [3] J. Bouwmeester, J. Guo, Survey of worldwide pico- and nanosatellite missions, distributions and subsystem technology, Acta Astronautica 67 (78)
775 (2010) 854 – 862. doi:<http://dx.doi.org/10.1016/j.actaastro.2010.06.004>.
- [4] S. Corpino, F. Stesina, Verification of a cubesat via hardware-in-the-loop simulation, IEEE Transactions on Aerospace and Electronic Systems 50 (4)
780 (2014) 2807–2818. doi:[10.1109/TAES.2014.130370](http://dx.doi.org/10.1109/TAES.2014.130370).
- [5] X. Cao, Flexible platform based micro-satellite design method, Aerospace Science and Technology 53 (2016) 162 – 168. doi:<http://dx.doi.org/10.1016/j.ast.2016.03.012>.
785 URL <http://www.sciencedirect.com/science/article/pii/S1270963816301055>
- [6] K. B. Gamble, E. G. Lightsey, Cubesat mission design software tool for risk estimating relationships, Acta Astronautica 102 (2014) 226 – 240.

doi:<http://dx.doi.org/10.1016/j.actaastro.2014.06.019>.

790 URL <http://www.sciencedirect.com/science/article/pii/S0094576514002185>

[7] Y. Miyazaki, M. Yamazaki, A practical education of space engineering by using cansat and pico-satellite - fruitful collaboration with unisec for success of student satellite program -, in: 2013 6th International Conference on Recent Advances in Space Technologies (RAST), 2013, pp. 1081–1086. doi: 10.1109/RAST.2013.6581163.

[8] S. Matunaga, K. Yoshihara, Y. Sugiura, M. Sekiguchi, H. Sawada, S. Tsurumi, K. Nakaya, M. Mori, K. Ui, N. Maeda, O. Mori, Titech micro-satellite model: Cansat for sub-orbital flight, in: 2000 IEEE Aerospace Conference. Proceedings (Cat. No.00TH8484), Vol. 7, 2000, pp. 135–142 vol.7. doi:10.1109/AERO.2000.879283.

[9] K. V. Paiva, M. B. H. Mantelli, L. K. Slongo, Experimental testing of mini heat pipes under microgravity conditions aboard a suborbital rocket, *Aerospace Science and Technology* 45 (2015) 367 – 375. doi:<http://dx.doi.org/10.1016/j.ast.2015.06.004>.

805 URL [//www.sciencedirect.com/science/article/pii/S1270963815001819](http://www.sciencedirect.com/science/article/pii/S1270963815001819)

[10] K. V. Paiva, M. B. H. Mantelli, L. K. Slongo, R. Gohr, V. B. Nicolau, Experimental tests of wire mini heat pipe under microgravity conditions aboard suborbital rockets, in: *Proceedings of 9th International Heat Pipe Symposium*, 2008.

[11] K. V. Paiva, M. B. H. Mantelli, G. V. Nuernberg, L. K. Slongo, F. Reis, S. J. Burg, V. B. Nicolau, Experimental tests of mini, pulsating and heat spreader heat pipes under microgravity conditions aboard suborbital rockets, in: *Proceedings of 15th International Heat Pipe Conference*, 2010.

815 [12] R. Varatharajoo, S. Fasoulas, Methodology for the development of combined energy and attitude control systems for satel-

lites, *Aerospace Science and Technology* 6 (4) (2002) 303 – 311.
doi:[http://dx.doi.org/10.1016/S1270-9638\(02\)01157-4](http://dx.doi.org/10.1016/S1270-9638(02)01157-4).

820 URL <http://www.sciencedirect.com/science/article/pii/S1270963802011574>

[13] A. Addaim, A. Kherras, E. Zantou, Dsp implementation of integrated store-and-forward aprs payload and obdh subsystems for low-cost small satellite, *Aerospace Science and Technology* 12 (4) (2008) 308 – 317.
825 doi:<http://dx.doi.org/10.1016/j.ast.2007.08.002>.

URL <http://www.sciencedirect.com/science/article/pii/S1270963807001034>

[14] The CubeSat Program, Cubesat design specification rev. 13, Tech. rep., Cal Poly SLO (02 2014).

830 [15] H. Chaoui, H. Gualous, Adaptive state of charge estimation of lithium-ion batteries with parameter and thermal uncertainties, *IEEE Transactions on Control Systems Technology* 25 (2) (2017) 752–759. doi:10.1109/TCST.2016.2572362.

Acknowledgement

835 The authors acknowledge the Coordination for the Improvement of Higher Education Personnel (CAPES), which partially supported this research through the PhD grant number 3447735; the National Council for Scientific and Technological Development (CNPq), which partially supported this work under the project number 402184/2013-0, through the PhD grant number 141696/2017-
840 6, and the postdoctoral grant number 150012/2018-7; and the Brazilian Space Agency (AEB), for having partially supported this work under Uniespaço Program, Opportunity Announce AO/2013 and Microgravidade Program, 4th Opportunity Announce.

Authors' Biography

845 **Leonardo Kessler Slongo** is a postdoctoral researcher in Electrical Engineering at Federal University of Santa Catarina (UFSC), Brazil. He currently conducts his research at Communications and Embedded Systems Lab (LCS) / Embedded Systems Group (GSE). He received his bachelor's, master's and doctor's degrees in Electrical Engineering from UFSC in 2011, 2013 and 2018 respectively. His research areas include scheduling algorithms, embedded systems for space applications, solar energy harvesting systems, nanosatellite electrical power systems and low power electronics.

855 **João Gabriel Reis** received his bachelor's and master's degrees in Electrical Engineering from the Federal University of Santa Catarina (UFSC), Brazil, with dual degree in Electronic Engineering by the National Polytechnic Institute of Toulouse (INPT-ENSEEIH), France, in 2013 and 2016, respectively. His research interests are in the areas of embedded systems, hardware description language (HDL), and FPGA for space applications.

860 **Daniel Gaiki** received his bachelor degree in Electrical Engineering from the Federal University of Santa Catarina (UFSC), Brazil, in 2010. He is a master's student at Politecnico di Torino, Italy. His research interests are in the areas of hardware design and testing, and communication systems for space applications.

865 **Pedro Von Hohendorff Seger** is a bachelor's student in Electrical Engineering at Federal University of Santa Catarina (UFSC), Brazil. His research areas include data processing software design, embedded systems testing and aerospace systems integration.

870 **Sara Vega Martínez** is a Ph.D. student in Electrical Engineering at Federal University of Santa Catarina (UFSC), Brazil. She received her bachelor's and master's degrees in Electrical Engineering from University of Las Palmas

de Gran Canarias (ULPGC), Spain, in 2016. Her research areas include embed-
875 ded systems hardware and software design, solar energy harvesting systems and
nanosatellite electrical power systems.

Bruno Vale Barbosa Eiterer is a bachelor's student in Electrical Engi-
neering at Federal University of Santa Catarina (UFSC), Brazil. His research ar-
880 eas include embedded systems software design, solar energy harvesting systems
and nanosatellite electrical power systems.

Túlio Gomez Pereira is a bachelor's student in Electrical Engineering at
Federal University of Santa Catarina (UFSC). His research areas include em-
885 bedded systems hardware design and test, solar energy harvesting systems and
nanosatellite electrical power systems.

Mario Baldini Neto received his bachelor's degree in Computer Science
and his master's degree in Electrical Engineering both at Federal University of
890 Santa Catarina (UFSC), Brazil. His research areas include embedded operating
systems focusing on nanosatellite on-board computers.

Matheus dos Santos Frata is a bachelor's student in Electronic Engineer-
ing at Federal University of Santa Catarina (UFSC). His research areas include
895 embedded systems software design and test, and aerospace systems integration.

Henrique Daniel Hamisch is a bachelor's student in Control Engineering
and Automation at Federal University of Santa Catarina (UFSC). His research
areas include control and attitude systems design as well as embedded systems
900 software development.

André Martins Pio de Mattos is a bachelor's student in Electronic Engi-
neering at Federal University of Santa Catarina (UFSC). His research areas in-
clude embedded systems software design, aerospace systems integration and test.

905

Juan Pablo Florez Mera received his bachelor's degree in Mechanical Engineering from the Universidad Francisco de Paula Santander-UFPS, Colombia, in 2004, master's and Ph.D. degrees in Mechanical Engineering from the Federal University of Santa Catarina (UFSC), Brazil, in 2011 and 2016, respectively. His
910 main research areas of interest is thermal control, working mainly in the following subjects: heat pipes, sintered porous media, LHP circuit heat pipes, and heat transfer mathematical modeling.

Kleber Vieira de Paiva is currently a professor at the Federal University of
915 Santa Catarina (UFSC), Brazil. He is the header of the research group Thermal Fluid Flow Group - UFSC. He received his Ph.D. in Mechanical Engineering and Thermal Sciences from UFSC in 2011 and his master's degree in the same area and institution, in 2007. He has experience in the development of compact heat exchangers for thermal control of electronic components for space applications:
920 mini heat pipes and thermosyphons.

Marcia Barbosa Henriques Mantelli received her bachelor's degree in Mechanical Engineering from the State University of Campinas, Brazil, in 1982, her master's degree in Space Engineering and Technology from the National
925 Institute of Space Research, Brazil, in 1985 and her Ph.D. degree in Mechanical Engineering from the University of Waterloo, Canada, in 1995. She is currently professor at the Federal University of Santa Catarina (UFSC), Brazil and the header of the Heat Pipes Laboratory - LEPTEN/UFSC. She has experience in Mechanical Engineering, with emphasis on thermal engineering, working mainly
930 on the following topics: satellites' thermal control, thermosyphons and heat pipes.

Luigi Dilillo received his master's degree in Electronic Engineering from the Politecnico di Torino, Italy, in 2001, with specialization in Microelectron-
935 ics. He received his Ph.D. degree in Information, Structures and Systems

from the University of Montpellier, France, in 2005. He did a post-doc at the University of Southampton, United Kingdom, from 2005 to 2007. He is currently a researcher for CNRS (1st class) at LIRMM University of Montpellier. His main research areas includes: memory test and reliability; power
940 aware test; radiation impact on electronics; radiation monitoring; space and radiation hardened systems design; electronics working in harsh environment.

Eduardo Augusto Bezerra is a Researcher and Lecturer of Computer Engineering at Federal University of Santa Catarina (UFSC), where he is with
945 the Department of Electrical and Electronic Engineering since 2010. He received his Ph.D. in Computer Engineering from the University of Sussex (Space Science Centre), England, UK, in 2002. His research interests are in the areas of embedded systems, space applications, computer architecture, reconfigurable systems (FPGAs), software & hardware testing, fault tolerance and microprocessor
950 applications.

Federal University of Santa Catarina
 Technological Center (CTC)
 Department of Electrical and Electronic Engineering
 Embedded Systems Group (GSE)
 Florianópolis, Zip Code 88040-900, Brazil
 E-Mail: slongo@eel.ufsc.br; jgreis@lisha.ufsc.br;
 sara.vega@posgrad.ufsc.br; bruno.eiterer@grad.ufsc.br;
 tulio.gomes.pereira@grad.ufsc.br;
 mario.baldini@posgrad.ufsc.br; m.frata@grad.ufsc.br;
 henrique.hamisch@grad.ufsc.br;
 andre.martins.mattos@grad.ufsc.br
 Eduardo.Bezerra@ufsc.br;

Daniel Gaiki, B.Eng.

Politecnico di Torino
 Dipartimento di Elettronica e Telecomunicazioni
 Turin, Corso Castelfidardo, 39, Italy
 E-Mail: daniel.gaiki@studenti.polito.it

Prof. Kleber Vieira de Paiva, Dr.Eng.

Federal University of Santa Catarina
 Technological Center of Joinville
 Department of Mobility Engineering
 Aerospace Engineering
 Thermal Fluid Flow Group
 Joinville, Zip Code 89218-035, Brazil
 E-Mail: kleber.paiva@ufsc.br

Federal University of Santa Catarina
 Technological Center (CTC)
 Department of Mechanical Engineering
 Heat Pipes Laboratory
 Florianópolis, Zip Code 88040-900, Brazil
 E-Mail: pedro@labtucal.ufsc.br; jpablo@labtucal.ufsc.br;
 marcia.mantelli@ufsc.br

Luigi Dilillo, PhD

Université Montpellier
 Department of Microelectronics - LIRMM
 Rue Ada, 34392, Montpellier, France
 E-Mail: Luigi.Dilillo@lirmm.fr

November 20, 2018

Acta Astronautica, Editor-in-Chief

Dear Prof. Rock Jeng-Shing Chern, PhD,

We would like to submit the attached manuscript, "Pre-flight qualification test procedure for nanosatellites using sounding rockets", for consideration for possible publication in Acta Astronautica.

The highlights of the paper are the following:

- A detailed description of a qualification test procedure for nanosatellites.
- Embedded system to interface the nanosatellite subsystems and the rocket electronics.
- Design description, test and on-flight validation of a Multi-Mission Platform.
- Ground station data processing software.
- Nanosatellite subsystems test results from a sounding rocket flight.

Sincerely,

The Authors