



HAL
open science

Coloring Problems on Bipartite Graphs of Small Diameter

Victor A Campos, Guilherme C.M. Gomes, Allen Ibiapina, Raul Lopes, Ignasi Sau, Ana Silva

► **To cite this version:**

Victor A Campos, Guilherme C.M. Gomes, Allen Ibiapina, Raul Lopes, Ignasi Sau, et al.. Coloring Problems on Bipartite Graphs of Small Diameter. *The Electronic Journal of Combinatorics*, 2021, 28 (2), pp.#P2.14. 10.37236/9931 . lirmm-03374527

HAL Id: lirmm-03374527

<https://hal-lirmm.ccsd.cnrs.fr/lirmm-03374527>

Submitted on 12 Oct 2021

HAL is a multi-disciplinary open access archive for the deposit and dissemination of scientific research documents, whether they are published or not. The documents may come from teaching and research institutions in France or abroad, or from public or private research centers.

L'archive ouverte pluridisciplinaire **HAL**, est destinée au dépôt et à la diffusion de documents scientifiques de niveau recherche, publiés ou non, émanant des établissements d'enseignement et de recherche français ou étrangers, des laboratoires publics ou privés.



Distributed under a Creative Commons Attribution - NoDerivatives 4.0 International License

Coloring Problems on Bipartite Graphs of Small Diameter

Victor A. Campos*

Departamento de Computação
Universidade Federal do Ceará
Fortaleza, Brazil

victoitor@ufc.br

Guilherme C. M. Gomes

Departamento de Computação
Universidade Federal de Minas Gerais
Belo Horizonte, Brazil

gcm.gomes@dcc.ufmg.br

Allen Ibiapina

Departamento de Matemática
Universidade Federal do Ceará
Fortaleza, Brazil

allen.ibiapina@alu.ufc.br

Raul Lopes

Departamento de Computação
Universidade Federal do Ceará
Fortaleza, Brazil

raul@alu.ufc.br

Ignasi Sau[†]

LIRMM, Université de Montpellier, CNRS
Montpellier, France
Fortaleza, Brazil

ignasi.sau@lirmm.fr

Ana Silva[‡]

Departamento de Matemática
Universidade Federal do Ceará
Fortaleza, Brazil

anasilva@mat.ufc.br

Submitted: Oct 8, 2020; Accepted: Apr 11, 2021; Published: Apr 23, 2021

© The authors. Released under the CC BY-ND license (International 4.0).

Abstract

We investigate a number of coloring problems restricted to bipartite graphs with bounded diameter. First, we investigate the k -LIST COLORING, LIST k -COLORING, and k -PRECOLORING EXTENSION problems on bipartite graphs with diameter at most d , proving NP-completeness in most cases, and leaving open only the LIST 3-COLORING and 3-PRECOLORING EXTENSION problems when $d = 3$.

Some of these results are obtained through a proof that the SURJECTIVE C_6 -HOMOMORPHISM problem is NP-complete on bipartite graphs with diameter at

*Supported by FUNCAP/CNPq/Brazil Project PRONEM PNE-0112-00061.01.00/16.

[†]Supported by CAPES-PRINT Institutional Internationalization Program, process 88887.468331/2019-00, and French projects DEMOGRAPH (ANR-16-CE40-0028), ESIGMA (ANR-17-CE23-0010), ELIT (ANR-20-CE48-0008), and UTMA (ANR-20-CE92-0027).

[‡]Supported by FUNCAP/CNPq/Brazil, Project PRONEM PNE-0112-00061.01.00/16, CNPq Universal 401519/2016-3 and 437841/2018-9, and CNPq Produtividade 304576/2017-4.

most four. Although the latter result has been already proved [Vikas, 2017], we present ours as an alternative simpler one. As a byproduct, we also get that 3-BICLIQUE PARTITION is NP-complete. An attempt to prove this result was presented in [Fleischner, Mujuni, Paulusma, and Szeider, 2009], but there was a flaw in their proof, which we identify and discuss here.

Finally, we prove that the 3-FALL COLORING problem is NP-complete on bipartite graphs with diameter at most four, and prove that NP-completeness for diameter three would also imply NP-completeness of 3-PRECOLORING EXTENSION on diameter three, thus closing the previously mentioned open cases. This would also answer a question posed in [Kratochvíl, Tuza, and Voigt, 2002].

Mathematics Subject Classifications: 05C15, 68R10, 68Q17

1 Introduction

Graph coloring problems are among the most fundamental and studied problems in graph theory, due to their practical and theoretical importance. A *proper coloring* of a graph G is a function $f : V(G) \rightarrow \mathbb{N}$ such that $f(u) \neq f(v)$ for every edge $uv \in E(G)$, and the k -COLORING problem asks whether a given graph G admits a proper coloring using at most k colors. A well-known result by Karp [23] shows that the k -COLORING problem is NP-complete for every fixed $k \geq 3$. In this paper, we study two of the most general coloring problems: *list coloring* and *graph homomorphism*.

In the k -LIST COLORING problem, we are given a graph G together with a function L which assigns to each $u \in V(G)$ a subset of allowed colors with $|L(u)| \leq k$ for every $u \in V(G)$. This is called a *list assignment of G* . The question is whether G admits a proper coloring f such that $f(u) \in L(u)$ for every $u \in V(G)$; if the answer is YES, we say that G is *L -colorable*. If G is L -colorable for every list assignment L satisfying $|L(v)| \geq k$ for every $v \in V(G)$, we say that G is *k -choosable*.

Observe that this generalizes the k -COLORING problem: it suffices to consider $L(u) = \{1, \dots, k\}$ for every $u \in V(G)$. Thus k -LIST COLORING is NP-complete for every fixed $k \geq 3$; this was shown by Holyer [17] and Karp [23]. Another natural coloring problem that can be modeled as a list coloring problem is the k -PRECOLORING EXTENSION problem, where some vertices have fixed colors and the goal is to extend this precoloring to a proper k -coloring of G . Thus we can model this problem as a list coloring problem by assigning a list of size 1 to each of the precolored vertices, and a list equal to $\{1, \dots, k\}$ to the remaining ones. From now on, we denote this problem by k -PREEXT.

A long-standing and still open question about coloring problems is whether one can decide in polynomial time if a graph with diameter two can be properly colored using at most three colors (see e.g. [22, 32]), and only recently the answer for the 3-COLORING problem on graphs with diameter at most three has been settled negatively by Mertzios and Spirakis [30]. Here we propose the investigation of analogous questions concerning list colorings of bipartite graphs.

The famous Hajós Theorem [14] states that every non- k -colorable graph can be constructed from the complete graph K_{k+1} by iteratively applying one of three defined opera-

tions. Gravier [13] has proved an analogous theorem, showing that every non- k -choosable graph can be constructed from complete bipartite graphs by iteratively applying one of three operations (the same as Hajós' operations, with the exception of one, which is an adaptation of the corresponding Hajós operation to bipartite graphs). This is one of the reasons why it can be of interest to investigate list colorings of bipartite graphs (see, for example, [1, 24, 19, 20]); in particular, characterizations of non- k -choosable complete bipartite graphs for certain values of k have also been given (see e.g. [28, 31, 33]).

For graphs G and H , we say that G is H -free if G has no copy of H as an induced subgraph. Interestingly enough, even though there are some results concerning list coloring problems on P_k -free bipartite graphs (see, for example, [19, 24]), to the best of our knowledge, no work deals with bipartite graphs of small diameter directly, except for a result by Jansen and Scheffler [21] that proves that 3-LIST COLORING is NP-complete on complete bipartite graphs. Concerning P_k -free graphs, Kratochvíl [24] proved that 5-PREEXT is NP-complete on P_{13} -free bipartite graphs, while Huang et al. [19] showed that 4-PREEXT is NP-complete on P_{10} -free chordal bipartite graphs and that 4-LIST COLORING is NP-complete on P_8 -free chordal bipartite graphs. Note that if G has no induced P_k , then G has diameter at most $k - 2$. Therefore, the aforementioned results of Huang et al. [19] give us that 4-PREEXT is NP-complete on chordal bipartite graphs with diameter at most 8, and that 4-LIST COLORING is NP-complete on chordal bipartite graphs with diameter at most 6. Here, we improve the first result of Huang et al. [19] with respect to the diameter by showing that 3-PREEXT is NP-complete on bipartite graphs with diameter four. Also, we give a linear algorithm that solves k -PREEXT, for each fixed k , on complete bipartite graphs (diameter two). Our algorithm is an improvement for complete bipartite over previous more general algorithms that work on P_5 -free graphs (Hoàng et al. [18]), and on $(rP_1 + P_5)$ -free graphs (Couturier et al. [5]); in particular, ours is an FPT algorithm parameterized by k , while the latter algorithms are XP. As we will see, this leaves as the only open cases the complexity of 3-PREEXT and related problems, when restricted to bipartite graphs with diameter three.

It is well-known that a k -coloring can also be seen as a homomorphism to K_k (the complete graph on k vertices). Given graphs G and H , a *homomorphism from G to H* is a function $f : V(G) \rightarrow V(H)$ that respects edges, i.e., such that $f(u)f(v) \in E(H)$ whenever $uv \in E(G)$. When H is fixed, the H -HOMOMORPHISM problem consists in deciding whether G has a homomorphism to H , while the LIST H -HOMOMORPHISM is defined in a similar way as the k -LIST COLORING problem, i.e. each vertex u of G can only be mapped to $x \in V(H)$ if x belongs to the list assigned to u . Hell and Nešetřil [15] proved that H -HOMOMORPHISM is polynomial if H is bipartite, and NP-complete otherwise. A dichotomy is also known for the LIST H -HOMOMORPHISM problem: Feder and Hell [8] proved that if H is a *reflexive* graph (a graph is reflexive if every vertex of H has a loop), then the problem is solvable in polynomial time if H is a bipartite interval graph and NP-complete otherwise. Furthermore, for loopless graphs, Feder et al. [9] also proved that if H is bipartite and \overline{H} , the *complement* graph of H , is a circular-arc graph, then LIST H -HOMOMORPHISM can be solved in polynomial time; otherwise, the problem is NP-complete.

A homomorphism f from a graph G to a graph H is *surjective* if every vertex $x \in V(H)$ is the image of some vertex $u \in V(G)$, and it is *edge-surjective* if every edge $xy \in E(H)$ is the image of some edge $uv \in E(G)$. Observe that if f is edge-surjective and H has no isolated vertices, then f is also surjective. If H is a subgraph of G and f is an homomorphism from G to H such that $f(v) = v$ for every $v \in V(H)$, we say that f is a *retraction of G to H* . We denote the related problems by SURJECTIVE H -HOMOMORPHISM, EDGE-SURJECTIVE H -HOMOMORPHISM, and RETRACT, respectively. Some authors use the term *(edge-)compaction* to refer to (edge-)surjective homomorphism, but we prefer to use a more descriptive term. Also, if RETRACT is restricted to instances (G, H) such that H is isomorphic to a fixed graph F , then we write RETRACT TO F to denote the related problem.

Vikas [35] showed that problem SURJECTIVE H -HOMOMORPHISM reduces to EDGE-SURJECTIVE H -HOMOMORPHISM and to RETRACT TO H . Therefore, it follows from the result by Hell and Nešetřil [15] that all three problems are NP-complete when H is not bipartite, as it suffices to add a dummy copy of H to G so as to force the obtained graph G' to have a surjective homomorphism to H if and only if G has a homomorphism to H . As for the remaining cases, since the late 1980's there has been interest in the complexity of these problems when H is a bipartite graph, with related questions being posed by many authors (see e.g. [29, 36]). Let C_4° denote the reflexive cycle on four vertices. Vikas [34] proved that EDGE-SURJECTIVE C_4° -HOMOMORPHISM is NP-complete, and only recently SURJECTIVE C_4° -HOMOMORPHISM has been also proved to be NP-complete by Martin and Paulusma [29]. Golovach et al. [12] proved that SURJECTIVE H -HOMOMORPHISM is polynomial when H is a path, and NP-complete for many other cases (e.g. linear forests and trees of pathwidth at most 2). Also, Golovach et al. [11] recently proved that SURJECTIVE H -HOMOMORPHISM is NP-complete when H has exactly 2 vertices u and v such that $\{uu, vv\} \subseteq E(H)$, provided $uv \notin E(H)$. We refer the reader to the nice survey by Bodirsky et al. [3] on surjective homomorphisms and related problems. Martin and Paulusma [29] also relate EDGE-SURJECTIVE H -HOMOMORPHISM to many other problems (e.g. vertex cut-sets, H -partitions, and biclique cover), showing that various open problems and SURJECTIVE C_4° -HOMOMORPHISM, which they prove to be NP-complete, are equivalent.

In particular, the NP-completeness of RETRACT TO C_6 (Feder et al. [9]), and of EDGE-SURJECTIVE C_6 -HOMOMORPHISM (Vikas [34]) are known since 1999, but only recently the NP-completeness of SURJECTIVE C_6 -HOMOMORPHISM has been settled (Vikas [36]), even though this had been asked by Hell and Nešetřil back in 1988 [36]. Here we give a stronger NP-completeness result for RETRACT TO C_6 that we then use in some of our proofs. Namely, letting $H \cong C_6$ and $G = (X \cup Y, E)$ be bipartite, we show that RETRACT TO C_6 is NP-complete even if $V(H) \cap Y$ dominates X , and each $y \in V(H) \cap Y$ is at distance at most 2 from y' , for every $y' \in Y$. We then use this result to show that 3-PREEXT, EDGE-SURJECTIVE C_6 -HOMOMORPHISM, and SURJECTIVE C_6 -HOMOMORPHISM are NP-complete even when restricted to bipartite graphs with diameter four. Our NP-completeness proof for SURJECTIVE C_6 -HOMOMORPHISM produces a smaller graph than the one presented by Vikas [36], needing only a linear number of

new vertices in the construction against a quadratic number used by Vikas [36], which allows us to present a simpler proof. In addition, we make a small observation that, by letting M_k denote the graph obtained from the complete bipartite graph $K_{k,k}$ by removing a perfect matching, we get that SURJECTIVE M_k -HOMOMORPHISM, EDGE-SURJECTIVE M_k -HOMOMORPHISM, and RETRACT TO M_k are all NP-complete on graphs of diameter three.

Vikas [36] also points out, without explicitly proving it, that his reduction can be generalized to a proof that SURJECTIVE C_{2k} -HOMOMORPHISM is NP-complete for every $k \geq 3$. Unfortunately, we have not managed to directly adapt our reduction to this case. Finally, we mention that there is still interest in the C_k -homomorphism problem for odd k when restricted to P_ℓ -free graphs because of its ties with the long-standing open problem of 3-coloring P_ℓ -free graphs (see e.g. a recent paper by Chudnovsky et al. [4]).

Given a graph G , a *biclique of G* is a pair of vertex subsets (A, B) forming a complete bipartite subgraph of G . The *bipartite complement* of a bipartite graph $G = (A \cup B, E)$ is the bipartite graph $\overline{G_B} = (A \cup B, E')$ containing the non-edges between A and B . In the k -BICLIQUE problem, the task is to decide whether $V(G)$ can be partitioned into k bicliques. Mohammad et al. [16] showed that, letting k be part of the input, k -BICLIQUE is NP-complete even when restricted to bipartite graphs. An attempt to show that 3-BICLIQUE is NP-complete on bipartite graphs was presented by Fleischner et al. [10]. Unfortunately, as we show in Section 6, there is a mistake in their proof. Nevertheless, applying our result for SURJECTIVE C_6 -HOMOMORPHISM, we get that the 3-BICLIQUE problem is indeed NP-complete on bipartite graphs, even when the bipartite complement of G has diameter four. It is worth mentioning that Martin and Paulusma [29] showed that 2-BICLIQUE is NP-complete on general graphs (with a very technical reduction that uses an abstract algebraic meta-theorem), and that Fleischner et al. [10] showed that it is polynomial on bipartite graphs. Hence, the NP-completeness of 3-BICLIQUE on bipartite graphs is best possible in terms of k .

We need two more definitions before presenting our last results. Given a proper k -coloring f of a graph G , a vertex v is called a *b-vertex* if the neighborhood of v contains one vertex of each color (distinct from that of v), and f is a *k -fall-coloring of G* if every vertex of G is a b-vertex. In the k -FALL COLORING problem, we ask whether an input graph G admits a k -fall-coloring. We show that if 3-FALL COLORING were NP-complete on bipartite graphs with diameter three, then we would get a complete dichotomy for the list coloring problems on bipartite graphs with diameter constraints. Also, this would answer a question posed by Kratochvíl et al. [25]. Although we do not know whether 3-FALL COLORING is NP-complete on bipartite graphs with diameter three, we show that it is NP-complete on bipartite graphs with diameter four, strengthening a result of Laskar and Lyle [26].

Organization. In Section 2 we present the formal notation and definitions used in this article. In Section 3 we give an almost complete classification for the investigated list coloring problems in terms of the number of colors and the diameter of the input graph G , taking into account the results presented in the current article. In Section 4 we show our hardness result for RETRACT TO C_6 and use it to prove that 3-PREEXT is NP-complete on

bipartite graphs with diameter four. In Section 5 we show that EDGE-SURJECTIVE C_6 -HOMOMORPHISM and SURJECTIVE C_6 -HOMOMORPHISM are NP-complete on bipartite graphs with diameter four. In Section 6, we point out the flaw in the hardness proof for 3-BICLIQUE on bipartite graphs presented by Fleischner et al. [10], and show how to obtain the result using the results presented in Section 5. Finally, in Section 7 we provide a reduction from 3-FALL COLORING to 3-PREEXT that preserves the diameter of the input graph, and prove that 3-FALL COLORING is NP-complete on bipartite graphs with diameter four.

2 Definitions and notation

All graphs that we consider are simple, that is, they do not have loops nor multiple edges. We can also assume that the graphs are connected, as otherwise it suffices to solve the problems on the connected components. For basic definitions on graph theory, we refer the reader to [38].

For $u, v \in V(G)$, we denote by $\text{dist}(u, v)$ the length of a shortest path between u and v , and it is called the *distance between u and v in G* . The *diameter* of a graph G is the maximum distance between any pair of vertices of G . We denote by \mathcal{B} the class of bipartite graphs. Also, for a fixed positive integer d , we denote by \mathcal{B}_d the class of bipartite graphs with diameter at most d , and by \mathcal{D}_d the class of graphs with diameter at most d . A set $X \subseteq V(G)$ is a *dominating set* of G if every vertex of G is either in X or has a neighbor in X . Similarly, we say that $A \subseteq V(G)$ *dominates* $B \subseteq V(G)$ if every vertex of B is either in A or has a neighbor in A . For a graph $H \subseteq G$, we denote by $N_H(v)$ the set of neighbors of v that are contained in $V(H)$.

For an integer $\ell \geq 1$, we denote by $[\ell]$ the set $\{1, \dots, \ell\}$. Given problems P and P' , we write $P \preceq P'$ to denote that there exists a polynomial reduction from P to P' (hence, P' is at least as hard as P). Also, given a graph class \mathcal{G} and a problem P , we denote P restricted to \mathcal{G} by $P|_{\mathcal{G}}$. Given sets A and B , a function $f : A \rightarrow B$, and an element $b \in B$, the set of elements of A whose image is b is denoted by $f^{-1}(b)$. Also, given $X \subseteq A$, we denote the image of X by $f(X)$, i.e., $f(X) = \{f(x) \mid x \in X\}$. If $f(X) = \{b\}$, we abuse notation and write $f(X) = b$.

Given a graph G and a positive integer k , we say that a function $f : V(G) \rightarrow [k]$ is a *proper k -coloring of G* if $f(u) \neq f(v)$ for every $uv \in E(G)$. A vertex v is called a *b -vertex* if $f(N[v]) = [k]$, and f is a *k -fall-coloring of G* if every vertex of G is a b -vertex. A *list assignment of G* is a function $L : V(G) \rightarrow 2^{\mathbb{N}}$ that assigns to each vertex $u \in V(G)$ a finite subset $L(u)$ of positive integers. A *partial k -coloring of G* is a function $p : V' \rightarrow [k]$ where $V' \subseteq V(G)$ and p is a proper coloring of the subgraph of G induced by V' . If V' is not given, we denote it by $\text{dom}(p)$. Given a partial k -coloring p of G , we say that f is a *k -extension of p* if f is a proper k -coloring of G such that $f(u) = p(u)$ for every $u \in \text{dom}(p)$.

A *biclique* of a graph G is a pair of vertex non-empty subsets (A, B) such that $G' = (A \cup B, E')$ is a complete bipartite graph, where G' is the subgraph of G with vertex set $A \cup B$, and edge set E' containing the edges of G between A and B . A *k -biclique partition* of

G is a set of k disjoint bicliques $\{(A_1, B_1), \dots, (A_k, B_k)\}$ such that $\bigcup_{i=1}^k (A_i \cup B_i) = V(G)$.

The coloring problems investigated in this article are formally defined below, adopting the notation from other papers; see e.g. [32]. In each of the problems defined below, we consider k to be a fixed integer with $k \geq 1$.

k -LIST COLORING

Input: A graph $G = (V, E)$ and a list assignment L s.t. $|L(u)| \leq k$ for every $u \in V(G)$.

Question: Does G admit a proper coloring f s.t. $f(u) \in L(u)$ for every $u \in V(G)$?

LIST k -COLORING

Input: A graph $G = (V, E)$ and a list assignment L s.t. $L(u) \subseteq [k]$ for every $u \in V(G)$.

Question: Does G admit a proper coloring f s.t. $f(u) \in L(u)$ for every $u \in V(G)$?

k -PREEXT

Input: A graph $G = (V, E)$, a positive integer k , and a partial k -coloring p of G .

Question: Does p have a k -extension?

k -BICLIQUE PARTITION

Input: A graph $G = (V, E)$.

Question: Does G have a k -biclique partition?

k -FALL-COLORING

Input: A graph $G = (V, E)$.

Question: Does G admit a k -fall-coloring?

The investigated homomorphism problems are listed below, where H is considered to be a fixed graph whenever it is part of the name of a problem.

SURJECTIVE H -HOMOMORPHISM

Input: A graph $G = (V, E)$.

Question: Does G have a surjective homomorphism to H ?

EDGE-SURJECTIVE H -HOMOMORPHISM

Input: A graph $G = (V, E)$.

Question: Does G admit an edge-surjective H -homomorphism?

RETRACT

Input: A graph $G = (V, E)$ and a subgraph $F \subseteq G$.

Question: Is there a retraction of G to F ?

RETRACT TO H

Input: A graph $G = (V, E)$ and a subgraph $F \subseteq G$ isomorphic to H .

Question: Is there a retraction of G to F ?

A *3-uniform hypergraph* is a hypergraph such that each hyperedge has size exactly 3. A *2-coloring of a hypergraph* G is a function $f : V(G) \rightarrow \{1, 2\}$ such that $f(e) = \{1, 2\}$ for every hyperedge $e \in E(G)$ (i.e., no hyperedge is monochromatic). Lovász [27] showed that the problem of 2-coloring 3-uniform hypergraphs, formally defined below, is NP-complete. This problem will be used in the reductions of Sections 4 and 7.

3-UNIFORM HYPERGRAPH 2-COLORING (abbreviated as **3-UNIFORM 2-COL**)

Input: A 3-uniform hypergraph $G = (V, E)$.

Question: Does G admit a 2-coloring?

From here on, we let n denote the number of vertices of the input graph of the problem under consideration.

3 List coloring vs. diameter

In this section, we investigate the complexity of k -PREEXT, LIST k -COLORING, and k -LIST COLORING on bipartite graphs with diameter d , for a fixed integer $d \geq 2$. We provide a complete picture about the hardness of these problems, leaving as open cases only 3-PREEXT and LIST 3-COLORING for $d = 3$.

First, notice that there is a straightforward reduction from k -PREEXT to LIST k -COLORING. Indeed, for each $v \in V(G)$, if v is precolored with color $p(v)$, then define $L(v) = \{p(v)\}$; otherwise, define $L(v) = [k]$. Furthermore, LIST k -COLORING is a particular case of k -LIST COLORING, since each vertex in an instance of the former problem has a list assignment of size at most k . From these two remarks, we get

$$k\text{-PREEXT} \preceq \text{LIST } k\text{-COLORING} \preceq k\text{-LIST COLORING}. \quad (1)$$

Since the reductions discussed above do not change the input graph, we get that Equation (1) holds when we restrict the problems to graphs in \mathcal{B}_d . We remark that there are polynomial-time algorithms for the 2-LIST COLORING problem by Lovász [27] and Vizing[37], and hence for 2-PREEXT and LIST 2-COLORING as well. In what follows we focus on the complexity of these problems for $k \geq 3$. Observe that if k -PREEXT is proved to be NP-complete on bipartite graphs for some k , then the same holds for the other problems, and the next result shows that it also implies that $(k + 1)$ -PREEXT $_{\mathcal{B}_3}$ is NP-complete.

Proposition 1. *Let $k \geq 1$ be a fixed integer. Then k -PREEXT $_{\mathcal{B}}$ \preceq $(k + 1)$ -PREEXT $_{\mathcal{B}_3}$.*

Proof. Let $G \in \mathcal{B}$ with parts X and Y , p be a partial k -coloring of G , and (G', p') be an instance of $(k + 1)$ -PREEXT $_{\mathcal{B}_3}$ obtained from (G, p) as follows. To obtain G' , add to G two new vertices x and y , all edges from x to vertices in Y , and all edges from y to vertices in X ; therefore G' is a bipartite graph with parts $X' = X \cup \{x\}$ and $Y' = Y \cup \{y\}$. Let p'

Diameter	3- <small>PRE</small> EXT	LIST 3-COLORING	3-LIST COLORING
2	P	P [18, 5]	NP-c [19]
3	open	open	NP-c
4	NP-c (Sec. 4)	NP-c	NP-c

Table 1: Row labeled i presents the complexity of the corresponding problems restricted to bipartite graphs with diameter at most i .

Diameter	k - <small>PRE</small> EXT	LIST k -COLORING	k -LIST COLORING
2	P	P [18, 5]	NP-c
3	NP-c (Prop. 1)	NP-c	NP-c
4	NP-c	NP-c	NP-c

Table 2: Row labeled i presents the complexity of the corresponding problems restricted to bipartite graphs with diameter at most i , for every fixed integer $k \geq 4$.

be obtained from p by giving color $k + 1$ to both x and y . Now, any extension of p' defines an extension of p and vice-versa, since color $k + 1$ can only appear in the new vertices. Let us argue about the diameter of G' . Recall that we can assume that G is connected, and therefore it has no isolated vertices.

Consider a pair $u, v \in V(G')$. If they are within the same part, say X' , then either they are both adjacent to y , or $u = x$ in which case (x, w, v) is a path, where w is any neighbor of v in Y (recall that G has no isolated vertices). If $u \in X'$ and $v \in Y'$, then either $\{u, v\} \cap \{x, y\} = \emptyset$, in which case (u, y, w, v) is a (u, v) -path for any neighbor w of v with $w \in X$; or $\{u, v\} = \{x, y\}$ and (x, w, w', y) is a (u, v) -path for any edge $ww' \in E(G)$; or $|\{u, v\} \cap \{x, y\}| = 1$, in which case $uv \in E(G')$. Thus, we get that G' has indeed diameter at most 3. \square

Table 1 (resp. Table 2) presents the complexity of the problems discussed in this section for $k = 3$ (resp. for every fixed $k \geq 4$) restricted to bipartite graphs with diameter at most 2, 3, and 4. Let us explain how these tables are filled. In Section 4 we prove that $3\text{-PREEXT}|_{\mathcal{B}_d}$ is NP-complete. Note that, from Equation (1) and the fact that $\mathcal{B}_d \subseteq \mathcal{B}_{d+1}$, we get that the forth row downwards in Table 1 is filled with NP-completeness results. Also, by Proposition 1, we get that for every fixed $k \geq 4$, row 3 downwards in Table 2 is filled with NP-completeness results. When G is a complete bipartite graph, the polynomiality of LIST k -COLORING and k -PREEXT follows from previous results by Couturier et al. [5] and Hoàng et al. [18]. In Section 3.1, we briefly discuss those results and show a simple algorithm for LIST k -COLORING that is better than both when the input graph is a complete bipartite graph. Finally, Jansen and Scheffler [21] proved that 3-LIST COLORING is NP-complete on complete bipartite graphs. The last two sentences justify the second row of both tables.

3.1 List k -Coloring is polynomial on complete bipartite graphs

We begin this section by discussing some previously known results for LIST k -COLORING. For $r \geq 1$, let rH denote the graph formed by r disjoint copies of a graph H , and by $G + H$ we denote the graph formed by the disjoint union of the graphs G and H .

Hoàng et al. [18] considered the LIST k -COLORING problem in P_5 -free graphs. A key ingredient of their algorithm is a result by Bacsó and Tuza [2] stating that every P_5 -free graph contains a *dominating structure*, that is, an induced subgraph $D \subseteq G$ that is isomorphic to P_3 or to a complete graph, and $V(D)$ is a dominating set of G . Their algorithm starts by performing a brute-force search for a dominating structure D of size at most k over all $\binom{n}{k}$ sets of vertices of size k in G . If none is found, then by the aforementioned result by Bacsó and Tuza [2], G contains a clique of size at least $k + 1$ and thus it is not k -colorable. Otherwise, they guess a coloring of D and reduce the original LIST k -COLORING instance to solving at most $(kn)^{k^5}$ instances of LIST $(k-1)$ -COLORING, which are then solved recursively.

Couturier et al. [5] generalized the result by Hoàng et al. [18] to $(rP_1 + P_5)$ -free graphs. They showed that any such graph that is L -colorable, where L is a list assignment of G with $L(u) \subseteq [k]$ for every $u \in V(G)$, admits another kind of dominating set of size at most $f(k)$, for some computable function f , and their algorithm for LIST k -COLORING also depends on finding a dominating set of size at most $f(k)$ in G and on solving $O(n^{f(k)})$ new instances.

We provide a simple algorithm for LIST k -COLORING in complete bipartite graphs that has the advantage of being an FPT algorithm, while the algorithms discussed above are clearly XP. As mentioned before, this algorithm also solves k -PREEXT on complete bipartite graphs, by Equation (1) and the fact that the reduction does not modify the input graph.

Theorem 2. *The LIST k -COLORING $_{|B_2}$ problem can be solved in time $\mathcal{O}(2^k \cdot k \cdot \log k \cdot n)$. In particular, it can be solved in linear time for every fixed integer $k \geq 1$.*

Proof. Consider a complete bipartite graph $G = (A \cup B, E)$ and a list assignment L such that $L(u) \subseteq [k]$ for every $u \in V(G)$. It is easy to see that solving LIST k -COLORING on G is equivalent to choosing an element $c(u)$ in $L(u)$ for each $u \in V(G)$ in such a way that the chosen elements for A have no intersection with the chosen elements of B ; more formally, $\{c(u) \mid u \in A\} \cap \{c(u) \mid u \in B\} = \emptyset$. Because choosing a color $c(u)$ for $u \in A$ actually makes this color available for every $v \in A$ and non-available for every $v \in B$, the problem actually consists of choosing which subset of colors S can be used in A , knowing that $\bar{S} = [k] \setminus S$ will be the colors available for B . So, we can simply test, for each subset $S \subseteq [k]$, whether $S \cap L(u) \neq \emptyset$ for every $u \in A$, and $\bar{S} \cap L(u) \neq \emptyset$ for every $u \in B$. This takes time $\mathcal{O}(2^k \cdot k \cdot \log k \cdot n)$ since we need to check the intersection between either S or \bar{S} and $L(u)$ (which takes time $O(k \cdot \log k)$ if we consider the lists are ordered) for every $u \in V(G)$. \square

In fact, Theorem 2 states that LIST k -COLORING $_{|B_2}$ is *fixed-parameter tractable* parameterized by k , using terminology from parameterized complexity (cf. for instance [6]).

On the other hand, by considering the disjoint union of instances of LIST k -COLORING $_{\mathcal{B}_2}$ it is easy to obtain a so-called AND-*cross-composition* (see again [6]), hence refuting, under standard complexity assumptions, the existence of *polynomial kernels* for the problem LIST k -COLORING, parameterized by k , restricted to the graph class consisting of the disjoint union of complete bipartite graphs. Note that LIST k -COLORING restricted to this class is also fixed-parameter tractable, since one can solve the problem independently on each connected component. We leave as an open problem the existence of a polynomial kernel for LIST k -COLORING $_{\mathcal{B}_2}$ parameterized by k .

4 Retract to C_6

Our goal is to show that RETRACT TO C_6 is NP-complete even under various constraints, which imply that the input graph is in \mathcal{B}_4 . These constraints shall be particularly useful in the next section, where we prove the NP-completeness of EDGE-SURJECTIVE C_6 -HOMOMORPHISM and SURJECTIVE C_6 -HOMOMORPHISM on \mathcal{B}_4 . The proof of the following theorem consists of an appropriate modification of a reduction by Kratochvíl [24]. Basically, we start from the 3-UNIFORM 2-COL problem, instead of 1-IN-3 SAT, which allows us to combine a small gadget introduced by Kratochvíl (called *AB-link*) in a unique edge-gadget (instead, Kratochvíl had to combine them in eight distinct ways, depending on whether each variable was positive or negative). Additionally, since we do not need planarity, we can start with only six pre-colored vertices, which allows us to bound the diameter of G .

Theorem 3. *Let $G = (X \cup Y)$ be a bipartite graph, let $C \subseteq G$ be an induced C_6 in G , and let $Y_C = V(C) \cap Y$. Deciding whether G has a retraction to C is NP-complete, even if Y_C dominates X and $\text{dist}(h, y) \leq 2$ for every $h \in Y_C$ and $y \in Y$.*

Proof. We reduce from the 3-UNIFORM 2-COL problem (recall the definition from Section 2). For this, consider a 3-uniform hypergraph $H = (V, E)$, and let G be the bipartite graph with bipartition (V, E) such that $ue \in E(G)$ if and only if $u \in e$. Add vertices p_1^V, p_2^V, p_3^V and p_1^E, p_2^E, p_3^E to parts V and E , respectively, and make the subgraph induced by these vertices be the cycle $C = (p_1^V, p_2^E, p_3^V, p_1^E, p_2^V, p_3^E, p_1^V)$. Add an edge between each $v \in V$ and p_3^E . This ensures that any retraction f from G to C is such that $f(V) = \{p_1^V, p_2^V\} = N_C(p_3^E)$. Now, for each hyperedge $e \in E$, we replace some of the edges incident to e with an edge gadget defined as follows. For easier reference, let $V = \{v_1, \dots, v_n\}$ and $E = \{e_1, \dots, e_m\}$. Let $e_j \in E$, and let i_1, i_2, i_3 be the indices of the vertices within e_j . Remove edges $v_{i_1}e_j$ and $v_{i_2}e_j$ from G , and replace them with the gadget of Figure 1. For better visibility, sometimes we make more than one copy of some of the vertices of C in the figure (for instance, vertex p_3^E is represented 3 different times, but all occurrences correspond to the same vertex). Dashed and solid vertices are used to represent the bipartition of G . The purpose of this gadget is to ensure that hyperedge e_j cannot be monochromatic, as discussed below.

We need to prove that G is a bipartite graph, that C has the desired properties, and that f has a retraction to C if and only if H has an appropriate 2-coloring. We first prove

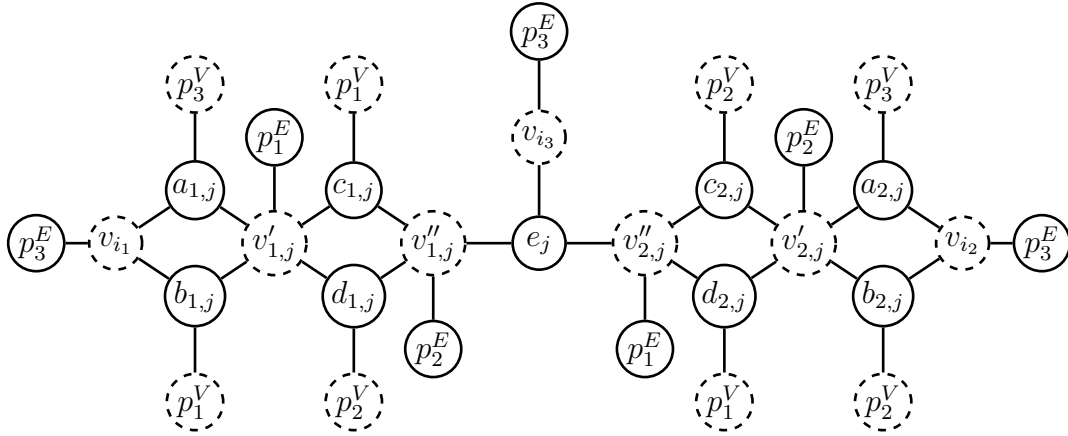


Figure 1: Gadget for hyperedge $e_j = \{v_{i_1}, v_{i_2}, v_{i_3}\}$.

the latter. So, let f be a retraction to C ; we prove that f restricted to V is a 2-coloring, using colors p_1^V, p_2^V , such that no hyperedge is monochromatic. Suppose otherwise and let $e_j = \{v_{i_1}, v_{i_2}, v_{i_3}\}$ be such that $f(\{v_{i_1}, v_{i_2}, v_{i_3}\})$ is monochromatic. Because every vertex in V is adjacent to p_3^E , we get that $f(\{v_{i_1}, v_{i_2}, v_{i_3}\}) \in \{p_1^V, p_2^V\} = N_C(p_3^E)$. First, suppose that $f(\{v_{i_1}, v_{i_2}, v_{i_3}\}) = p_1^V$. We prove that f must be as depicted in Figure 2, a contradiction since in this case e_j has neighbors in $f^{-1}(p_i^E)$ for every $i \in [3]$, and therefore cannot be mapped to C . Labels of vertices that do not have their image forced are left blank. Note that C can also be seen as the complete bipartite graph minus the perfect matching $\{p_i^V p_i^E \mid i \in [3]\}$. Because $a_{1,j}$ is adjacent to p_3^E and to $v_{i_1} \in f^{-1}(p_1^V)$, we get that $f(a_{1,j}) = p_2^E$. But now we get that $v_{1,j}'$ is adjacent to p_1^E and to $f^{-1}(p_2^E)$, and therefore must be in p_3^V . This implies that $d_{1,j}$ is adjacent to p_2^V and $f^{-1}(p_3^V)$, and hence is colored with p_1^E . Finally, we get that $v_{1,j}''$ is adjacent to p_2^E and $f^{-1}(p_1^E)$, and must be colored with p_3^V . The analysis for the right-hand side of the gadget is similar. For the case where $f(\{v_{i_1}, v_{i_2}, v_{i_3}\}) = p_2^V$, we have the situation depicted in Figure 3, and it follows similarly. Therefore, no edge is monochromatic, as we wanted to prove.

Conversely, suppose now that f' is a 2-coloring of H with no monochromatic hyperedge, and let f be obtained from f' by mapping to p_i^V all the vertices colored with i , for $i \in \{1, 2\}$. Let $e_j = \{v_{i_1}, v_{i_2}, v_{i_3}\}$. We show how to map the vertices within the hyperedge gadget related to e_j . The possibilities are the following:

- $f(v_{i_1}) = f(v_{i_2}) = p_1^V$: in this case $f(v_{i_3}) = p_2^V$ since e_j is not monochromatic. Map the vertices as in Figure 2, except for v_{i_3} , and note that we can map e_j to p_1^E , and that the blank vertices can be mapped to C ;
- $f(v_{i_1}) = f(v_{i_2}) = p_2^V$: in this case $f(v_{i_3}) = p_1^V$ since e_j is not monochromatic. Map the vertices as in Figure 3, except for v_{i_3} , and note that e_j can be mapped to p_2^E , and that the blank vertices can be mapped to C ;
- $f(v_{i_1}) = p_1^V$ and $f(v_{i_2}) = p_2^V$: map the left-hand side as in Figure 2, and the right-hand side as in Figure 3. Note that e_j can be mapped to $p \in \{p_1^E, p_2^E\} \setminus \{f(v_{i_3})\}$,

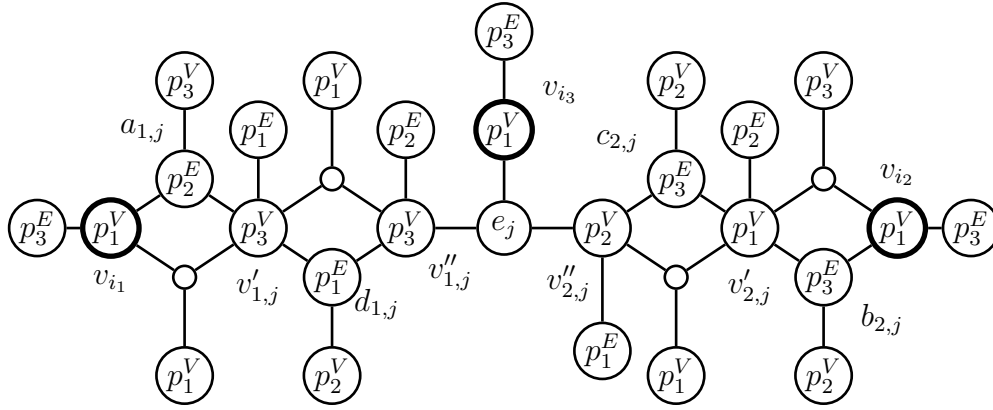


Figure 2: Coloring of a hyperedge gadget when $f(\{v_{i_1}, v_{i_2}, v_{i_3}\}) = p_1^V$. Vertices v_{i_1} , v_{i_2} , and v_{i_3} are emphasized. The image of a vertex is put inside of the node, and its label appears next to it, with the exception of e_j . Note that the blank vertices can be colored, from left to right, with p_2^E , p_2^E , p_3^E , and p_2^E .

and that the blank vertices can be mapped to C ;

- $f(v_{i_1}) = p_2^V$ and $f(v_{i_2}) = p_1^V$: map the left-hand side as in Figure 3, and the right-hand side as in Figure 2. Note that e_j can be mapped to p_3^E , and that the blank vertices can be mapped to C .

Finally, we need to prove that G is bipartite, and that C has the desired properties. To see that G is bipartite, just observe that the dashed and solid vertices in Figure 1 form a bipartition of G ; let (X, Y) be such a bipartition, where $V \subseteq X$ and $E \subseteq Y$ (i.e., X contains the dashed vertices, and Y the solid ones). More formally, one can see that

$$X = V \cup \{p_1^V, p_2^V, p_3^V\} \cup \{v'_{i,j}, v''_{i,j} \mid i \in [2], j \in [m]\};$$

$$Y = E \cup \{p_1^E, p_2^E, p_3^E\} \cup \{a_{i,j}, b_{i,j}, c_{i,j}, d_{i,j} \mid i \in [2], j \in [m]\}.$$

As for the properties of C , observe first that every $x \in X$ is adjacent to p_i^E , for some $i \in \{1, 2, 3\}$, i.e., $Y_C = \{p_1^E, p_2^E, p_3^E\}$ dominates X . It remains to prove that every $p \in Y_C$ is at distance at most 2 from every $y \in Y$. Given $e_j \in E$, denote by Y_j the subset of vertices in Y contained in a gadget related to e_j ; hence $Y = Y_C \cup \bigcup_{j \in [m]} Y_j$ and it suffices to prove that, given some $j \in [m]$, every $p \in Y_C$ is at distance at most 2 from every vertex in Y_j . For p_1^E , it follows from the fact that $Y_j \subseteq N(\{v'_{1,j}, v''_{2,j}, p_2^V, p_3^V\})$ and that $\{v'_{1,j}, v''_{2,j}, p_2^V, p_3^V\} \subseteq N(p_1^E)$. For p_2^E , it follows from the fact that $Y_j \subseteq N(\{v'_{2,j}, v''_{1,j}, p_1^V, p_3^V\})$ and that $\{v'_{2,j}, v''_{1,j}, p_1^V, p_3^V\} \subseteq N(p_2^E)$. Finally, for p_3^E it follows from the fact that $Y_j \subseteq N(\{v_{i_1}, v_{i_2}, v_{i_3}, p_1^V, p_2^V\})$ and that $\{v_{i_1}, v_{i_2}, v_{i_3}, p_1^V, p_2^V\} \subseteq N(p_3^E)$. \square

Corollary 4. $3\text{-PREEXT}|_{\mathcal{B}_4}$ is NP-complete, even if every vertex in one of the parts is adjacent to some precolored vertex.

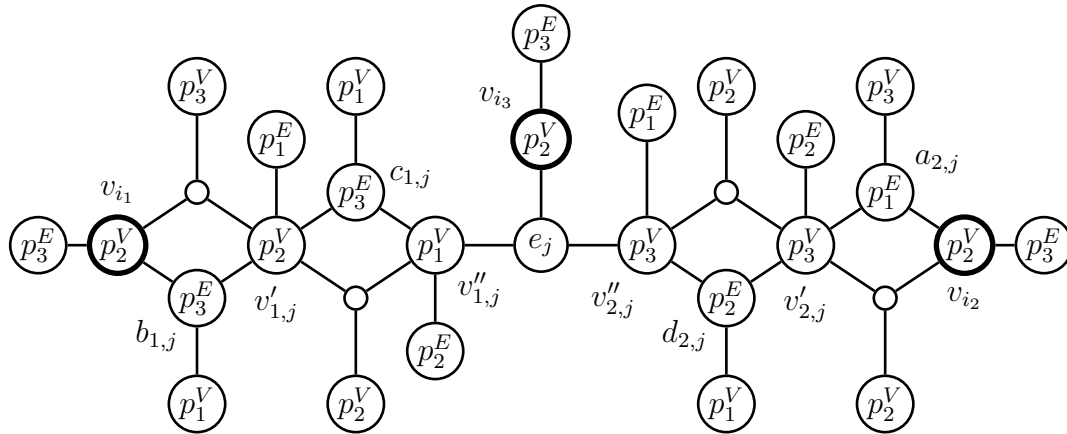


Figure 3: Coloring of a hyperedge gadget when $f(\{v_{i_1}, v_{i_2}, v_{i_3}\}) = p_2^V$. Vertices v_{i_1} , v_{i_2} , and v_{i_3} are emphasized. The image of a vertex is put inside of the node, and its label appears next to it, with the exception of e_j . Note that the blank vertices can be colored, from left to right, with p_1^E , p_3^E , p_1^E , and p_1^E .

Proof. Given a bipartite graph $G = (X \cup Y, E)$ and a C_6 , say C , in G with the properties stated in Theorem 3, it suffices to precolor p_i^E, p_i^V with i for each $i \in [3]$. One can see that G has a 3-extension for this precoloring if and only if G has a retraction to C . Also, the fact that $\{p_1^E, p_2^E, p_3^E\}$ dominates X gives us the property claimed in the statement. It remains to verify that $\text{diam}(G) \leq 4$. For this, first we argue that $\text{dist}(x, y) \leq 3$ for every $x \in X$ and $y \in Y$; indeed, either $xy \in E(G)$ or (x, p_i^E, w, y) is a path between x and y , where p_i^E is any vertex in $N(x) \cap C$ and (p_i^E, w, y) is the (p_i^E, y) -path of length 2 ensured in the statement of Theorem 3. Now, for $x, x' \in X$, let $y \in N(x)$ (it exists by construction); we know from the previous sentence that $\text{dist}(y, x') \leq 3$ and thus it follows that $\text{dist}(x, x') \leq 4$. The argument for $y, y' \in Y$ is symmetric. \square

5 Surjective C_6 -homomorphism

We first prove that EDGE-SURJECTIVE C_6 -HOMOMORPHISM is NP-complete on \mathcal{B}_4 , and as a byproduct we get that SURJECTIVE C_6 -HOMOMORPHISM is NP-complete (cf. Corollary 7). Notice that, unlike in the retraction problem, in the EDGE-SURJECTIVE C_6 -HOMOMORPHISM problem, the target C_6 is not necessarily a fixed subgraph of G . However, we show that, under some assumptions, an edge surjective C_6 -homomorphism for G coincides with a retraction of G to H for some choice of $H \subseteq G$ such that $H \cong C_6$. We remark that another proof that EDGE-SURJECTIVE C_6 -HOMOMORPHISM is NP-complete was given by Vikas [36]. However, our proof is simpler and we consider constraints which are not present in the proof of Vikas [36].

In what follows, we present a reduction from RETRACT TO C_6 on bipartite graphs of diameter four to EDGE-SURJECTIVE C_6 -HOMOMORPHISM. Let G and H be the input graph and subgraph, respectively; also, let us write H as (h_1, \dots, h_6) , and X, Y be the

parts of G , with $\{h_1, h_3, h_5\} \subseteq Y$. We first introduce the gadget depicted in Figure 4 related to a vertex $u \in Y \setminus V(H)$. The cycle (h'_1, \dots, h'_6) represents a circular permutation of (h_1, \dots, h_6) such that $h'_1 \in \{h_1, h_3, h_5\}$; we call this the (h'_1, h'_4) -gadget (this is because $h'_1 h'_4$ is the diagonal related to this gadget). We obtain the input graph G' of SURJECTIVE C_6 -HOMOMORPHISM from G by adding an (h'_1, h'_4) -gadget related to each $u \in Y \setminus V(H)$, for each possible pair (h'_1, h'_4) such that $h'_1 \in \{h_1, h_3, h_5\}$, namely for (h_1, h_4) , (h_3, h_6) , and (h_5, h_2) (see Figure 6). Note that $V(G') \setminus V(G)$ consists of precisely the vertices $\{a, b, c, d, e, g\}$ introduced for each choice of $u \in Y \setminus V(H)$ and each choice of h'_1 , for a total of $6(|Y| - 3)$ new vertices. We use the circular permutation in the following lemma to avoid making analogous arguments for each type of gadget separately.

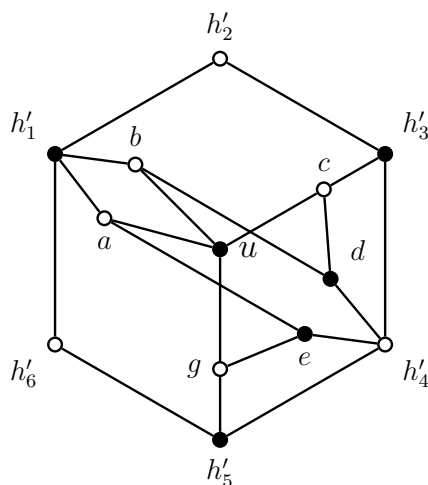


Figure 4: Gadget related to the diagonal $h'_1 h'_4$.

Lemma 5. *Let $G \in \mathcal{B}_4$ and $H \subseteq G$ be isomorphic to a C_6 ; write $H = (h_1, \dots, h_6)$. Also, let G' be obtained from G by adding the gadget represented in Figure 4 for every $u \in X$, and every $(h'_1, h'_4) \in \{(h_1, h_4), (h_3, h_6), (h_5, h_2)\}$. Let f be an edge-surjective C_6 -homomorphism of G' to the C_6 $(1, \dots, 6)$. Suppose that (h'_1, \dots, h'_6) is a circular permutation of H such that $h'_1 \in \{h_1, h_3, h_5\}$, and $f(h'_i) = i$ for each $i \in \{3, 4, 5\}$. If some $u \in V(G) \setminus V(H)$ is such that $f(u) = 1$, then f is a retraction of G' to H .*

Proof. We prove that if there exists a vertex $u \in V(G) \setminus V(H)$ such that $f(u) = 1$, then $f(h'_1) = 1$; note that the lemma follows since $\{1, 3\} = \{f(h'_1), f(h'_3)\} \subseteq N(f(h'_2))$, and $\{1, 5\} = \{f(h'_1), f(h'_5)\} \subseteq N(f(h'_2))$ imply that $f(h'_2) = 2$ and $f(h'_6) = 6$. To see that $f(h'_1) = 1$, note that the images of the gadget related to u must be as depicted in Figure 5, as explained next (fixed values appear inside the vertex, while implied values appear between parenthesis next to the vertex). Since g is adjacent to $u \in f^{-1}(1)$ and $h'_5 \in f^{-1}(5)$, we get that $f(g) = 6$. Similarly, we get $f(c) = 2$ since it is adjacent to $u \in f^{-1}(1)$ and $h'_3 \in f^{-1}(3)$. Note that this implies that $f(d) = 3$ and $f(e) = 5$, which in turn implies that $f(a) = 6$ and $f(b) = 2$. Because $a, b \in N(h'_1)$, we get $f(h'_1) = 1$ as we wanted to prove. \square

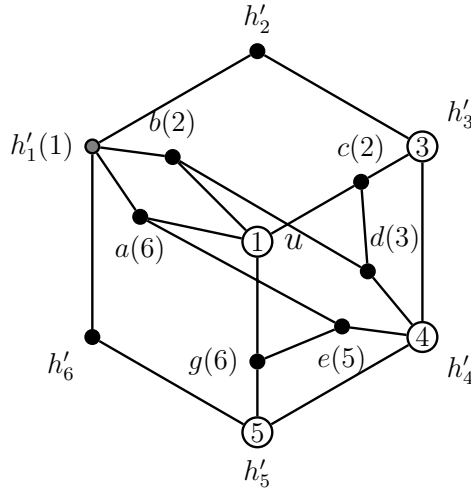


Figure 5: Mapping of a diagonal gadget related to $u \in X$ such that $f(u) = 1$, when $f(h'_i) = i$ for each $i \in \{3, 4, 5\}$. We get that $f(h'_1) = 1$.

Recall that Theorem 3 states that the restriction of **RETRACT TO C_6** used in the following lemma is **NP-complete**.

Lemma 6. *Let $G = (X \cup Y, E)$ be a bipartite graph and $H \subseteq G$ be a subgraph isomorphic to C_6 . Let Y_H be the set $V(H) \cap Y$, and suppose that Y_H dominates X and that $\text{dist}(h, y) \leq 2$ for every $h \in Y_H$ and $y \in Y$. If G' is obtained as in Lemma 5, then G' is a bipartite graph with $\text{diam}(G') \leq 4$, and the answer to the **RETRACT TO C_6** instance is **YES** if and only if the answer to G' admits an edge-surjective homomorphism to C_6 .*

Proof. Write H as before and suppose $Y_H = \{h_1, h_3, h_5\}$. Denote by A, B, C the sets of vertices containing the vertices labeled with a, b, c in the gadgets depicted in Figure 6, respectively. To see that G' is bipartite, observe the coloring in grey and black in Figure 6, with Y being gray. Now, denote by (X', Y') the bipartition of G' such that $X \subseteq X'$, and observe that $X' = X \cup B \cup C$ and $Y' = Y \cup A$. We prove that the same property holding for Y_H in G also holds in G' . The fact that $\text{diam}(G') \leq 4$ then follows by the same argument given in Corollary 4. We discuss each property separately:

1. Y_H dominates X' : we know that Y_H dominates X by assumption. Also, one can verify in Figure 6 that every vertex in $B \cup C$ is adjacent to some vertex in $\{h_1, h_3, h_5\}$;
2. $\text{dist}(h, y) \leq 2$ for every $y \in Y'$ and $h \in Y_H$: we know that this holds when $y \in Y$ by assumption. Consider a vertex $a \in A$. It suffices to show that this holds when a is within an (h_1, h_4) -gadget, since the other cases are symmetric. So let u be such that a is within the (h_1, h_4) -gadget related to u . If $a = a_{1,1,4}^u$, then $(a, b_{1,1,4}^u, h_1)$, $(a, c_{1,1,4}^u, h_3)$, and (a, h_4, h_5) are paths of length 2 between a and each $h \in \{h_1, h_3, h_5\}$, as we wanted to show. An analogous argument holds if $a = a_{2,1,4}^u$.

Now, we prove the second part of the theorem. Let f be a retraction of G to H . Since H is isomorphic to C_6 , it suffices to extend f to G' . Also, because the gadgets

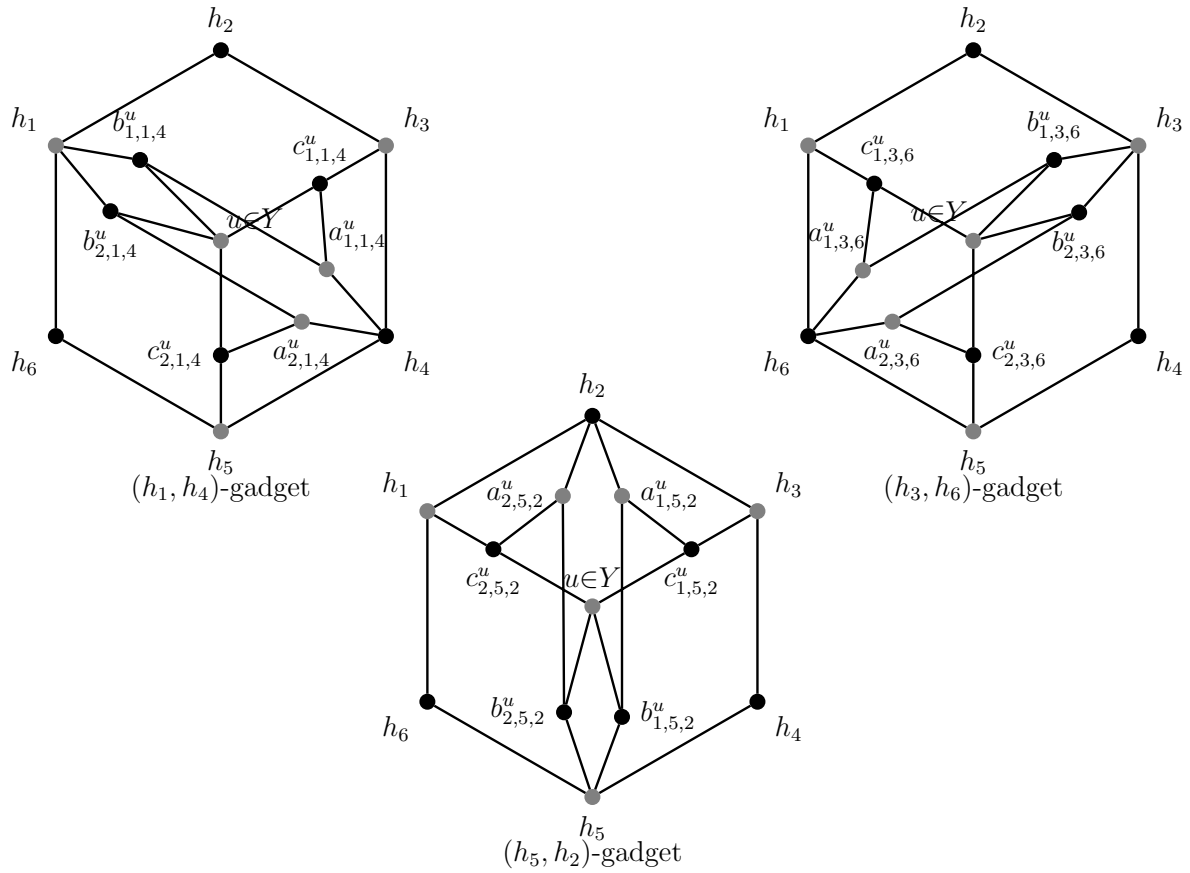


Figure 6: Different types of diagonal gadgets.

are symmetric, we just need to show how to extend f to an (h_1, h_4) -gadget. So consider any $u \in Y$. Figure 5 tells us how to extend f to the (h_1, h_4) -gadget related to u when $f(u) = h_1$ (considering $h'_1 = h_1$), while Figure 7 shows how to do it when $f(u) \in \{h_3, h_5\}$. Because $u \in Y$ and $\{h_2, h_4, h_6\} \subseteq X$, these are the only options.

Conversely, suppose that G' has an edge-surjective C_6 -homomorphism f , and write the target C_6 as $H' = (1, \dots, 6)$. We want to prove that $f(h_i) = i$, for every $i \in [6]$, so that f also gives a retraction of G to H . Note that if, at some point, we get that $f(h_i) = i$ either for every odd i , or for every even i , then we are done.

First, we prove that $|f(Y_H)| > 1$. So suppose without loss of generality that $f(Y_H) = 1$, and note that in this case $f(H) \subseteq \{1, 2, 6\}$. Because G' is bipartite and f is also vertex-surjective, we know that $f^{-1}(4) \neq \emptyset$, and since $f^{-1}(4) \subseteq X'$ we get a contradiction to Property (1) of the set Y_H , since X' would not be dominated by Y_H . We then may assume that $|f(Y_H)| = 2$, since the proof is finished when it is equal to 3. This means that 2 vertices among $\{h_1, h_3, h_5\}$ get distinct images. By relabeling H' if necessary, we can assume that the possible cases are the following:

- $f(h_3) = 3$ and $f(h_5) = 5$: this implies that $f(h_4) = 4$. We know by Lemma 5 that $f^{-1}(1) \cap Y = \emptyset$ as otherwise $f(h_1) = 1$ and the lemma follows. Also, note

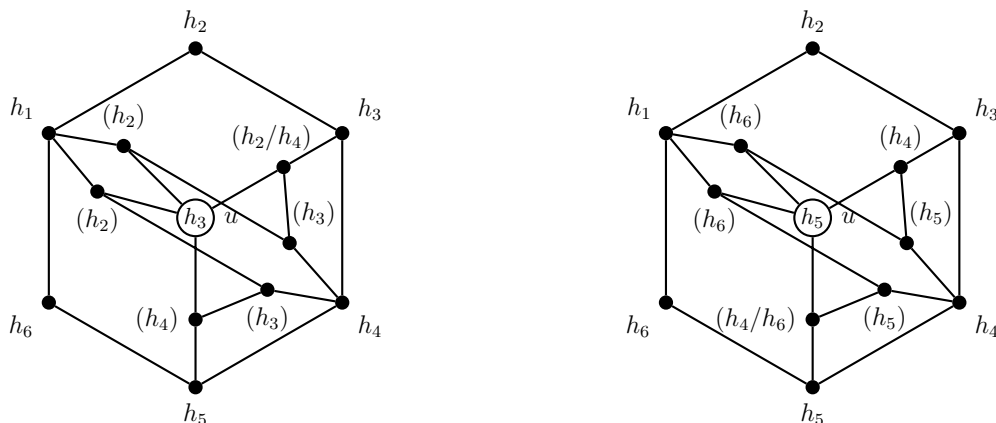


Figure 7: Extension of a retraction of G to H to a retraction of G' to H , which is of course also an edge-surjective C_6 -homomorphism of G' .

that $\{h_2, h_4, h_6\}$ dominates A . Hence, since $\emptyset \neq f^{-1}(1) \subseteq A$, we must get that either $f(h_2) = 2$ or $f(h_6) = 6$. In fact, if we get that $f(h_2) = 2$, then by relabeling $(1, \dots, 6)$ to $(3, 4, 5, 6, 1, 2)$ and doing the same with H , we get the situation $f(h_i) = i$ for each $i \in \{3, 4, 5, 6\}$. So suppose this is the case and note that we can assume that $f(h_1) = 5$ and $f(h_2) = 4$, since if $f(h_1) = 1$ and $f(h_2) = 2$ the proof is complete. We want to prove that $f^{-1}(1) = \emptyset$, thus getting a contradiction. Recall that $f^{-1}(1) \subseteq A$, and let $a \in A$ be such that $f(a) = 1$. Also let $u \in Y$ be such that a is within some diagonal gadget related to u . Observe that a is not within an (h_1, h_4) -gadget since $\{a_{1,1,4}^u, a_{2,1,4}^u\} \subseteq N(h_4)$, nor within an (h_5, h_2) -gadget since $\{a_{1,5,2}^u, a_{2,5,2}^u\} \subseteq N(h_2)$, and $f(h_2) = f(h_4) = 4$. Therefore, a is within an (h_3, h_6) -gadget. The following argument is illustrated in Figure 8.

First suppose that $a = a_{1,3,6}^u$. Because $c_{1,3,6}^u \in N(h_1)$, $f(h_1) = 5$, and $f(a) = 1$, we get that $f(c_{1,3,6}^u) = 6$. And because $h_3 \in N(b_{1,3,6}^u)$, $f(h_3) = 3$, and $f(a) = 1$, we get that $f(b_{1,3,6}^u) = 2$. We get a contradiction since $\{2, 6\} \subseteq f(N(u))$ and $f(u) \neq 1$. Clearly the same argument holds for $a = a_{2,3,6}^u$ since $f(h_5) = f(h_1) = 5$.

- $f(h_1) = 1$ and $f(h_3) = 3$: an argument analogous to the previous case yields a similar contradiction;
- $f(h_1) = 1$ and $f(h_5) = 5$: again, an analogous argument concludes the proof. \square

As a direct consequence of Theorem 3 and Lemma 6, we get that EDGE-SURJECTIVE C_6 -HOMOMORPHISM is NP-complete even when G has diameter four. We next argue that this also implies the NP-completeness of SURJECTIVE C_6 -HOMOMORPHISM.

Corollary 7. EDGE-SURJECTIVE C_6 -HOMOMORPHISM $_{|\mathcal{B}_4}$ is NP-complete. The same holds for SURJECTIVE C_6 -HOMOMORPHISM $_{|\mathcal{B}_4}$.

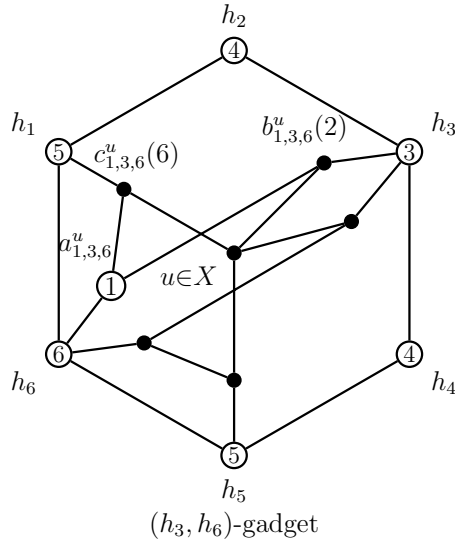


Figure 8: Situation where $f(h_i) = i$ for every $i \in \{3, 4, 5, 6\}$.

Proof. Let G be a bipartite graph with diameter at most four. The first statement follows by Theorem 3 and Lemma 6. We argue that G has an edge-surjective C_6 -homomorphism if and only if G has a surjective C_6 -homomorphism. Clearly an edge-surjective C_6 -homomorphism is a surjective C_6 -homomorphism, so it remains to show that given a surjective C_6 -homomorphism f of G , it follows that f is an edge-surjective C_6 -homomorphism as well. Suppose otherwise, and denote the target C_6 by $(1, \dots, 6)$. Without loss of generality, suppose that edge 12 has no pre-image, i.e., there is no $uv \in E(G)$ such that $f(u) = 1$ and $f(v) = 2$. This means that every path between $u \in f^{-1}(1)$ and $v \in f^{-1}(2)$ is mapped to $(1, 6, 5, 4, 3, 2)$, which implies that $\text{dist}(u, v) \geq 5$, contradicting the hypothesis that $\text{diam}(G) \leq 4$. \square

Finally, by applying a trick similar to the one used in Proposition 1, we get that:

Corollary 8. *For an integer $k \geq 4$, let M_k denote the complete bipartite graph $K_{k,k}$ minus a perfect matching. Also, let $G \in \mathcal{B}_3$ and $H \subseteq G$ such that $H \cong M_k$. Then SURJECTIVE M_k -HOMOMORPHISM, EDGE-SURJECTIVE M_k -HOMOMORPHISM, and RETRACT TO M_k are all NP-complete.*

6 3-Biclique Partition on bipartite graphs with diameter four

In this section we first show how Corollary 7 implies the NP-completeness of the 3-BICLIQUE PARTITION problem, and then we present the flaw in the proof in [10]. Recall that $\overline{G_{\mathcal{B}}}$ denotes the bipartite complement of G .

Corollary 9. *Let G be a bipartite graph such that $\overline{G_{\mathcal{B}}}$ has diameter at most four. Then, deciding whether G has a 3-biclique partition is NP-complete.*

Proof. Denote the parts of G by X and Y . It suffices to notice that V_1, V_2, V_3 is a 3-biclique partition of G if and only if the function f defined as follows is a surjective C_6 -homomorphism of \overline{G}_B : $f^{-1}(1) = X \cap V_1$, $f^{-1}(2) = Y \cap V_2$, $f^{-1}(3) = X \cap V_3$, $f^{-1}(4) = Y \cap V_1$, $f^{-1}(5) = X \cap V_2$, and $f^{-1}(6) = Y \cap V_3$. The theorem thus follows from Corollary 7. \square

Fleischner et al. [10] presented a hardness proof for the k -BICLIQUE PARTITION problem for a general $k \geq 3$, but since their reduction for values of k larger than 3 can be obtained using the trick presented in Proposition 1, for the sake of simplicity we consider $k = 3$. Still for the sake of simplicity, we work on the bipartite complement of their construction, which is from the LIST 3-COLORING problem. So, consider G bipartite with parts X, Y , and a list assignment L such that $L(u) \subseteq \{1, 2, 3\}$ for every $u \in V(G)$. Let G' be obtained from G by adding a cycle $C = (x_1, y_2, x_3, y_1, x_2, y_3, x_1)$ (which alternatively can be seen as the complete bipartite graph minus the perfect matching $\{x_i y_i \mid i \in [3]\}$). Then, for every $u \in X$, add an edge from u to y_i if and only if $i \notin L(u)$; do the same for each $u \in Y$ and x_i . They claim that G has an L -coloring if and only if G' has a retraction to C , if and only if \overline{G}'_B has a 3-biclique partition. Indeed one can see that any retraction f of G' to C gives a 3-biclique partition V_1, V_2, V_3 of \overline{G}'_B with each V_i defined as $\{u \in V(G) \mid f(u) \in \{x_i, y_i\}\}$. However, in the reverse implication, it is not necessarily true that a 3-biclique partition V_1, V_2, V_3 will map edge $x_i y_i$ inside of V_i for every $i \in [3]$, as the authors claim. For example, when G is simply an edge uv , and $L(u) = L(v) = \{1, 2\}$, we get that $V_1 = \{x_1, x_2, v\}$, $V_2 = \{y_1, y_2, u\}$, and $V_3 = \{x_3, y_3\}$ is a valid 3-biclique partition of $V(G')$.

Nevertheless, their proof does imply that RETRACT TO C_6 is NP-complete. We provided another proof of this fact in Theorem 3 because we needed stronger constraints on G and H in order to prove Corollaries 7 and 9.

7 k -Fall Coloring

In this section we investigate the complexity of k -FALL COLORING on bipartite graphs with diameter at most d for every pair of integers k, d . As in the case of list coloring problems, again the only case that we leave open is when $k = 3$ and $d = 3$. We conjecture that this case is also NP-complete, and we prove in Proposition 13 that, if so, then the cases left open in Table 1 would also be NP-complete. We start with the following technical lemma.

Lemma 10. *Let G be a bipartite graph with vertex bipartition (X, Y) and f be a k -fall-coloring of G . If $k \geq 3$, then $f(X) = f(Y) = [k]$.*

Proof. Towards a contradiction, suppose that $1 \notin f(X)$, which implies that every $v \in X$ has some neighbor in $f^{-1}(1) \subseteq Y$; however, there can be no $u \in Y$ with $f(u) \neq 1$, otherwise $1 \notin f(N[u])$, so we have $f^{-1}(1) = Y$. But in this case, since $k \geq 3$ and G is bipartite, $|f(N[v])| \leq 2$ for every $v \in X$, contradicting the hypothesis that f is a k -fall-coloring. \square

The following is analogous to Proposition 1.

Proposition 11. *Let $k \geq 3$ be a fixed positive integer. Then,*

$$k\text{-FALL-COLORING}|_{\mathcal{B}} \preceq (k+1)\text{-FALL-COLORING}|_{\mathcal{B}_3}.$$

Proof. Let $G \in \mathcal{B}$ with parts X and Y , and G' be obtained from G by adding new vertices x, y together with all edges from x to vertices in Y and all edges from y to vertices in X . This is the same graph as the one constructed in Proposition 1, and thus we already know that G' has diameter at most three. Now, we prove that G has a k -fall-coloring if and only if G' has a $(k+1)$ -fall-coloring. If f is a k -fall-coloring of G , then let f' be obtained from f by coloring x and y with color $k+1$. Every vertex of X and Y is adjacent to the new color, so they continue to be b-vertices, and x and y are b-vertices by Lemma 10. Now, let f' be a $(k+1)$ -fall-coloring of G' , and suppose without loss of generality that $f'(x) = k+1$. Again, by Lemma 10 we get that each part must contain every color. Therefore, because x is complete to Y , we get that the only vertex on $Y \cup \{y\}$ that can be colored with $k+1$ is y , i.e., $f'(y) = k+1$. In this case, one can see that f' restricted to G must define a k -fall-coloring of G . \square

We get the following partial classification of the problem. As we already mentioned, the only open case is when $k = 3$ and $d = 3$.

Corollary 12. *Let k, d be positive integers. Then $k\text{-FALL-COLORING}|_{\mathcal{B}_d}$ is polynomial when $k \leq 2$ or $d = 2$, and NP-complete when either $k \geq 4$ and $d \geq 3$, or $k = 3$ and $d \geq 4$.*

Proof. Observe that if G is a complete bipartite graph, i.e., a bipartite graph with diameter two, then every coloring that uses more than 2 colors will have a non-b-vertex, hence the answer to $k\text{-FALL-COLORING}$ is trivially NO when $k \geq 3$ and G is a complete bipartite graph (that is, $d = 2$). When $k \leq 2$, then either G has an isolated vertex and the answer is NO, or it does not and the answer is YES since any 2-coloring is also a 2-fall-coloring. For $k \geq 4$, it is known that 3-FALL-COLORING is NP-complete on bipartite graphs [26], which applying Proposition 11 and induction on k gives us that $k\text{-FALL-COLORING}|_{\mathcal{B}_d}$ is also NP-complete for every $d \geq 3$. For the remaining case, we prove in Theorem 14 that 3-FALL-COLORING $|_{\mathcal{B}_4}$ is NP-complete. \square

Before we move on to the proof of the case $k = 3$ and $d = 4$, we prove the following result.

Proposition 13. $3\text{-FALL-COLORING}|_{\mathcal{B}_3} \preceq 3\text{-PREEXT}|_{\mathcal{B}_3}$.

Proof. We present a Turing reduction from $3\text{-FALL-COLORING}|_{\mathcal{B}_3}$ to $3\text{-PREEXT}|_{\mathcal{B}_3}$, that is, we show that if $3\text{-PREEXT}|_{\mathcal{B}_3}$ can be solved in polynomial time, then we can solve $3\text{-FALL-COLORING}|_{\mathcal{B}_3}$ by solving a polynomial number of instances of $3\text{-PREEXT}|_{\mathcal{B}_3}$. Let G be a bipartite graph with diameter at most three. Given a cycle C of length 6 and a 3-coloring f of G , we say that C is *fall-colored in f* if f restricted to C is a fall-coloring. We claim that G has a 3-fall-coloring if and only if there exists a C_6 in G whose 3-fall-coloring can be extended to a proper 3-coloring of G . Observe that, if true, we get the desired reduction since it would suffice to test, for every subset of vertices of size 6 that

induce a cycle C , whether a 3-fall-coloring of C can be extended to G (observe that this 3-fall-coloring is unique up to relabeling).

Let (X, Y) be the bipartition of G . First, suppose that f is a 3-fall-coloring of G . By Lemma 10, we know that $f(X) = f(Y) = \{1, 2, 3\}$. Let $v_1, v_2, v_3 \in X$ be colored with 1, 2, and 3, respectively. Because G has diameter at most three, we get that $N(v_i) \cap N(v_j) \neq \emptyset$, for every $\{i, j\} \subseteq \{1, 2, 3\}$, $i \neq j$. So, let $w_{i,j} \in N(v_i) \cap N(v_j)$, for each choice of i, j . Since $f(v_1, v_2, v_3) = \{1, 2, 3\}$ and f is a proper 3-coloring, we get that $\{w_{1,2}, w_{2,3}, w_{1,3}\}$ are all distinct, and that $f(w_{i,j}) = \ell$ where $\ell \in \{1, 2, 3\} \setminus \{i, j\}$. Then the cycle $(v_1, w_{1,2}, v_2, w_{2,3}, v_3, w_{1,3})$ is an induced C_6 because G is bipartite and because f is a proper coloring. Conversely, suppose that a 3-fall-coloring f of a cycle C of length 6 can be extended to a proper 3-coloring f' of G (note that the fall-coloring of C is unique up to relabeling). A *3-b-coloring* is a proper 3-coloring such that each color class has *at least one* b-vertex. Note that any extension of f is a 3-b-coloring of G , since in C there are already b-vertices of all the 3 colors. Faik [7] proved that every 3-b-coloring of a bipartite graph with diameter three is also a 3-fall-coloring¹; hence, f' is a 3-fall-coloring of G . \square

Now, we prove that 3-FALL-COLORING is NP-complete even when restricted to bipartite graphs with diameter at most four. We mention that our proof is an improvement on the proof presented by Laskar and Lyle [26], where the constructed graphs have diameter six, although the authors do not mention that in their proof.

Theorem 14. 3-FALL-COLORING $_{\mathcal{B}_4}$ is NP-complete.

Proof. We present a reduction from 3-UNIFORM 2-COL. Consider a 3-uniform hypergraph G on vertices $V = \{v_1, \dots, v_n\}$ and hyperedges $E = \{e_1, \dots, e_m\}$, and let G' be constructed as follows (see Figure 9 for an illustration). Add V and E to the set of vertices of G' , together with a copy v'_i of each vertex $v_i \in V$; denote by V' the set $\{v'_i \mid v_i \in V\}$. Also, add two new vertices v, v' , and make v complete to V and v' complete to V' . Finally, add an edge between e_j and each $v_i \in e_j$ for every $e_j \in E$, and add the matching $\{v_i v'_i \mid i \in [n]\}$. We prove that G' is a bipartite graph with diameter four, and that G is a YES-instance of 3-UNIFORM 2-COL if and only if G' is a YES-instance of 3-FALL-COLORING.

First, note that $(V' \cup E \cup \{v\}, V \cup \{v'\})$ is a bipartition of G' . To see that G' has diameter four, first note that $G' - E$ consists of a perfect matching between V and V' , together with a vertex v complete to V and a vertex v' complete to V' . Observe that this subgraph has diameter three, with the most distant pairs of vertices being v and v' , and v_i and v'_j with $i \neq j$. Now, consider a hyperedge $e \in E$. Below, we show that the distance between e and any other vertex of G' is at most four.

- $d(e, v) = 2$: let $v_i \in e$; then (e, v_i, v) is a path in G' ;
- $d(e, v') = 3$: let $v_i \in e$; then (e, v_i, v'_i, v') is a path in G' ;

¹Since reference [7] is in French, for completeness we present the proof in Appendix A.

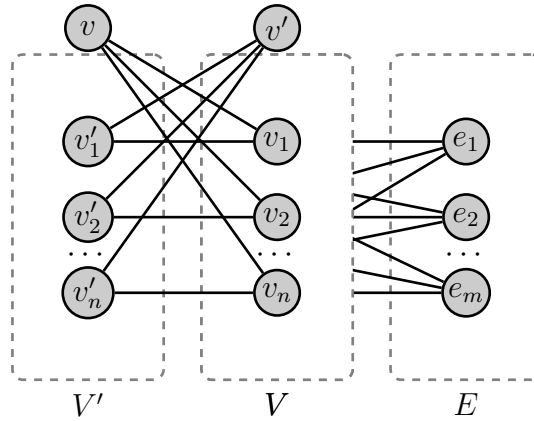


Figure 9: Graph G' related to the hypergraph $G = (V, E)$.

- $d(e, v_i) \leq 3$ for every $v_i \in V$: if $v_i \in e$, then (e, v_i) is a path in G' . Otherwise, let $v_j \in e$; then (e, v_j, v, v_i) is a path in G' ;
- $d(e, v'_i) \leq 4$ for every $v'_i \in V'$: if $v_i \in e$, then (e, v_i, v'_i) is a path in G' . Otherwise, let $v_j \in e$; then (e, v_j, v, v_i, v'_i) is a path in G' ;
- $d(e, e') \leq 4$, for every $e' \in E(G) \setminus e$: if there exists $v_i \in e \cap e'$, then (e, v_i, e') is a path in G' . Otherwise, let $v_i \in e$ and $v_j \in e'$, then (e, v_i, v, v_j, e') is a path in G' .

Now, we prove that G is a YES-instance of 3-UNIFORM 2-COL if and only if G' is a YES-instance of 3-FALL-COLORING. First, consider a 2-coloring f of G with no monochromatic hyperedge, and suppose that the used colors are $\{2, 3\}$. We extend f to a 3-fall-coloring f' of G' . For this, color every $x \in E \cup \{v, v'\}$ with 1, and color v'_i with $c \in \{2, 3\} \setminus f(v_i)$. One can verify that, because no hyperedge of G is monochromatic in f , the obtained coloring is a fall-coloring of G' .

Finally, consider a 3-fall-coloring f' of G' , and suppose, without loss of generality, that $f'(v) = 1$. This and the fact that v is a b-vertex imply that $f(V) = \{2, 3\}$. Hence, for every $e \in E(G)$, since $N_{G'}(e) \subseteq V$ and $1 \notin f(V)$, in order for e to be a b-vertex we must have that $f(e) = 1$, and that $f(N_{G'}(e)) = \{2, 3\}$. Therefore, the coloring f' restricted to V is a 2-coloring of G with no monochromatic hyperedge. \square

References

- [1] Noga Alon and Michael Tarsi. Colorings and orientations of graphs. *Combinatorica*, 12(2):125–135, 1992.
- [2] Gabor Bacso and Zsolt Tuza. Dominating cliques in P_5 -free graphs. *Periodica Mathematica Hungarica*, 21:303–308, 1990.

- [3] Manuel Bodirsky, Jan Kára, and Barnaby Martin. The complexity of surjective homomorphism problems - a survey. *Discrete Applied Mathematics*, 160(12):1680–1690, 2012.
- [4] Maria Chudnovsky, Shenwei Huang, Paweł Rzażewski, Sophie Spirkl, and Mingxian Zhong. Complexity of C_k -coloring in hereditary classes of graphs. [arXiv:2005.01824](https://arxiv.org/abs/2005.01824), 2020.
- [5] Jean-François Couturier, Petr A. Golovach, Dieter Kratsch, and Daniël Paulusma. List coloring in the absence of a linear forest. *Algorithmica*, 71(1):21–35, 2015.
- [6] Marek Cygan, Fedor V. Fomin, Lukasz Kowalik, Daniel Lokshtanov, Dániel Marx, Marcin Pilipczuk, Michal Pilipczuk, and Saket Saurabh. *Parameterized Algorithms*. Springer, 2015.
- [7] Taoufik Faik. *La b-continuité des b-colorations: complexité, propriétés structurelles et algorithmes*. PhD thesis, Université de Paris Sud - U.F.R. Scientifique D’Orsay, 2005.
- [8] Tomas Feder and Pavol Hell. List homomorphisms to reflexive graphs. *Journal of Combinatorial Theory, Series B*, 72:236–250, 1998.
- [9] Tomas Feder, Pavol Hell, and Jing Huang. List homomorphisms and circular arc graphs. *Combinatorica*, 19(4):487–505, 1999.
- [10] Herbert Fleischner, Egbert Mujuni, Daniël Paulusma, and Stefan Szeider. Covering graphs with few complete bipartite subgraphs. *Theoretical Computer Science*, 410(21–23):2045–2053, 2009.
- [11] Petr A. Golovach, Matthew Johnson, Barnaby Martin, Daniël Paulusma, and Anthony Stewart. Surjective H -colouring: New hardness results. *Computability*, 8(1):27–42, 2019.
- [12] Petr A. Golovach, Bernard Lidický, Barnaby Martin, and Daniël Paulusma. Finding vertex-surjective graph homomorphisms. *Acta Informatica*, 49(6):381–394, 2012.
- [13] Sylvain Gravier. A Hajós-like theorem for list coloring. *Discrete Mathematics*, 152:299–302, 1996.
- [14] György Hajós. Über eine konstruktion nicht n -färbbarer graphen. *Wiss. Z. Martin Luther Univ. Math-Natur. Reihe*, 10:116–117, 1961.
- [15] Pavol Hell and Jaroslav Nešetřil. On the complexity of H -coloring. *Journal of Combinatorial Theory, Series B*, 48(1):92–110, 1990.
- [16] Mohammad H. Heydari, Linda Morales, Charles O. Shields, and Ivan H. Sudborough. Computing cross associations for attack graphs and other applications. In *Proc. of the 4th Hawaii International Conference on Systems Science (HICSS)*, page 270, 2007.
- [17] Ian Holyer. The NP-completeness of edge-coloring. *SIAM Journal on Computing*, 10(4):718–720, 1981.
- [18] Chinh T. Hoàng, Marcin Kamiński, Vadim Lozin, Joe Sawada, and Xiao Shu. Deciding k -colorability of P_5 -free graphs in polynomial time. *Algorithmica*, 57(1):74–81, 2010.

- [19] Shenwei Huang, Matthew Johnson, and Daniël Paulusma. Narrowing the complexity gap for colouring (C_s, P_t) -free graphs. *The Computer Journal*, 58(11):3074–3088, 2015.
- [20] Mihály Hujter and Zsolt Tuza. Precoloring Extension 3: Classes of Perfect Graphs. *Combinatorics, Probability and Computing*, 5:35–56, 1996.
- [21] Klaus Jansen and Petra Scheffler. Generalized coloring for tree-like graphs. *Discrete Applied Mathematics*, 75(2):135–155, 1997.
- [22] Marcin Kamiński. Open problems from algorithmic graph theory, 2011. Bled, Slovenia.
- [23] Richard M. Karp. *Reducibility among Combinatorial problems*, pages 85–103. Springer US, 1972.
- [24] Jan Kratochvíl. Precoloring extension with fixed color bound. *Acta Mathematica Universitatis Comenianae*, 62(2):139–153, 1993.
- [25] Jan Kratochvíl, Zsolt Tuza, and Margit Voigt. On the b -chromatic number of graphs. In *Proc. of the 28th International Workshop on Graph-Theoretic Concepts in Computer Science*, pages 310–320. Springer-Verlag, 2002.
- [26] Renu Laskar and Jeremy Lyle. Fall colouring of bipartite graphs and cartesian products of graphs. *Discrete Applied Mathematic*, 157:330–338, 2009.
- [27] László Lovász. Coverings and colorings of hypergraphs. In *Proc. of the 4th Southwest Conference on Combinatorics*, pages 3–12. Utilitas Math, Winnipeg, 1973.
- [28] Nadimpalli V.R. Mahadev, Fred S. Roberts, and Prakash Santhanakrishnan. 3-choosable complete bipartite graphs. Technical report, Rutgers University, 1991.
- [29] Barnaby Martin and Daniël Paulusma. The computational complexity of disconnected cut and $2K_2$ -partition. *Journal of Combinatorial Theory, Series B*, 111:17–37, 2015.
- [30] George B. Mertzios and Paul G. Spirakis. Algorithms and Almost Tight Results for 3-Colorability of Small Diameter Graphs. *Algorithmica*, 74(1):385–414, 2016.
- [31] Paul O’Donnel. The choice number of $K_{6,q}$. Preprint Rutgers Univ. Math. Dept.
- [32] Daniël Paulusma. Open problems on graph coloring for special graph classes. In *Proc. of the 41st International Workshop on Graph-Theoretic Concepts in Computer Science (WG)*, volume 9224 of *LNCS*, pages 16–30, 2016.
- [33] A.M. Shende and Barry Tesman. 3-choosability of $K_{5,q}$. *Congressus Numerantium*, 111:193–221, 1995.
- [34] Narayan Vikas. Computational complexity of compaction to cycles. In *Proc. of the 10th annual ACM-SIAM Symposium on Discrete Algorithms (SODA)*, pages 977–978, 1999.
- [35] Narayan Vikas. Compaction, retraction, and constraint satisfaction. *SIAM Journal on Computing*, 33(4):761–782, 2004.

- [36] Narayan Vikas. Computational complexity of graph partition under vertex-compactness to an irreflexive hexagon. In *Proc. of the 42nd International Symposium on Mathematical Foundations of Computer Science (MFCS)*, volume 83 of *LIPICs*, pages 69:1–69:14, 2017.
- [37] Vadim G. Vizing. Coloring the vertices of a graph in prescribed colors. *Diskret. Analiz.*, 29(3):10, 1976.
- [38] Douglas B. West. *Introduction to graph theory*, volume 2. Prentice Hall Upper Saddle River, NJ, 1996.

A 3-b-colorings and 3-fall-colorings

In this section, for the sake of completeness, we present a proof of Faik [7].

Theorem 15 (Faik [7]). *Let G be a bipartite graph with diameter at most 3. If f is a 3-b-coloring of G , then f is a 3-fall-coloring of G .*

Proof. Let (X, Y) be the bipartition of $V(G)$. By Lemma 10, it holds that that $f(X) = f(Y) = [3]$. Note that if u, v are within the same part, then $N(u) \cap N(v) \neq \emptyset$, as otherwise their distance would be at least four. So, let $u \in X$ be of color 1. Because there exists $v \in X$ of color 2 and since $N(u) \cap N(v) \neq \emptyset$, we get that u must have a neighbor of color 3, namely the common neighbor with v . The analogous holds when picking any $v \in X$ of color 3; therefore u is a b-vertex. Clearly this argument can be applied to every $u \in X \cup Y$ just by renaming the colors and the parts. \square